

0A-220CN T

Transom mount sensor

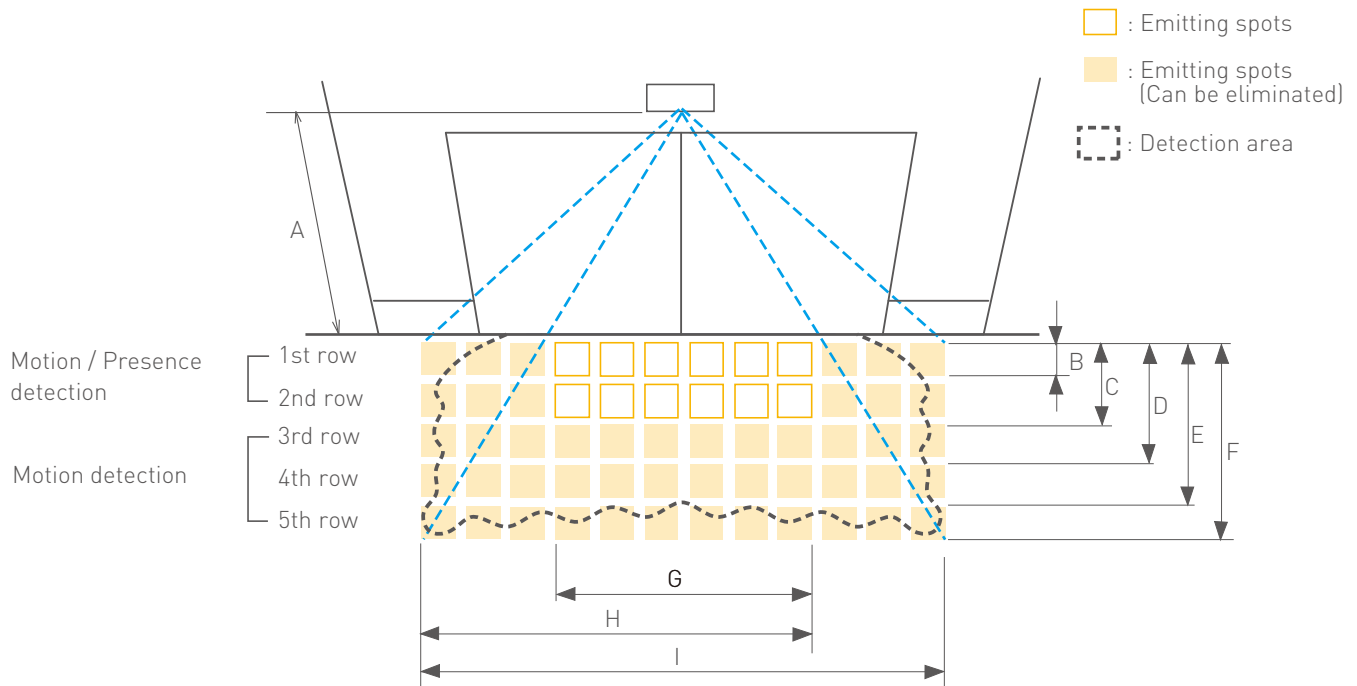
Active Infrared activation and safety with test input for automatic sliding doors



Features

1. Active infrared transom mount sensor for automatic sliding door combines both safety and activation.
2. Sensor covers are available in three colors: silver, white, and black.
3. The large detection area provides fast detection for any traffic including trolleys approaching from any angle.
4. Easy adjustment: Installation time can be reduced to a minimum by using easily set switch.

Specification



Detection area size (reference value) [m]

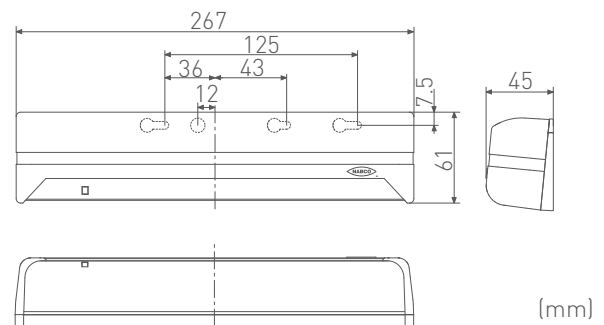
	2.20	2.50	2.70	3.00
A	2.20	2.50	2.70	3.00
B	0.14	0.16	0.18	0.20
C	0.42	0.48	0.52	0.58
D	0.82	0.93	1.00	1.10
E	1.35	1.54	1.66	1.85
F	1.90	2.17	2.34	2.60
G	1.33	1.51	1.63	1.81
H	2.05	2.32	2.51	2.79
I	2.78	3.15	3.40	3.79

※The actual detection area may differ according to the size/material/entry speed of the object and the installation environment.

Specification

Detection Method	Active Infrared Reflection
Detection Object	Motion / Presence
Mounting Height	Max. 3.0m
Detection Area	W 2.78m×D 1.9m (at mounting height 2.2m)
Current Consumption	less than 2.5W

Dimension



Nabtesco Corporation

Accessibility Innovations Company

Address : JA Kyosai Bldg., 7-9,
Hirakawacho 2-chome,
Chiyoda-ku, Tokyo,
102-0093, Japan

Phone : +81(0)3-5213-1157
Fax : +81(0)3-5213-1173

<http://nabco.nabtesco.com/en/>



ISO9001 / ISO14001 Certified



For further details, contact: