

NZ-1 ULTRASONIC SENSOR

Features

NZ-1 is a support sensor to monitor doorway through the use of ultrasonic.

Suitable for circular sliding or folding door thanks to three-dimensional detection area

Easy to set the sensitivity with the sensitivity volume

NZ-1 is activated to keep the door opened by monitoring a passer-by or an object

in the detection area through the ultrasonic wave when a passer-by or an object enters the detection area.

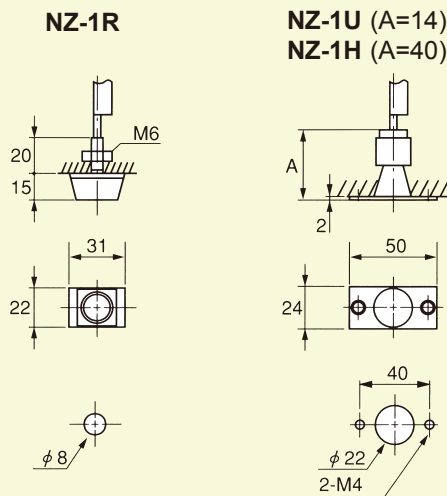


Specification

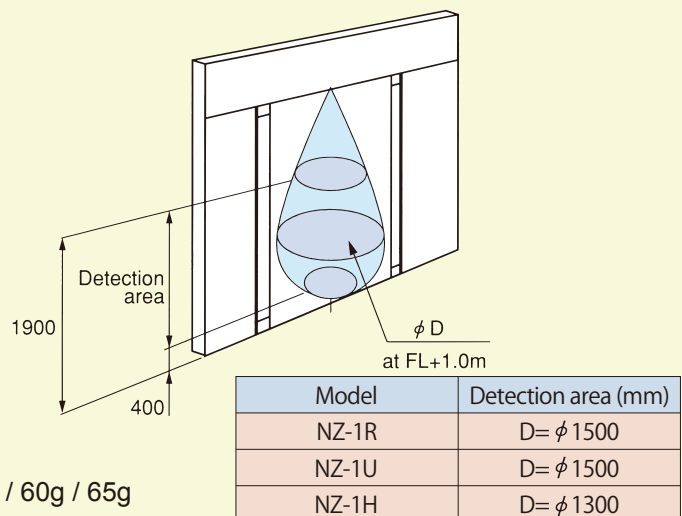
	NZ-1 ULTRASONIC SENSOR
Detection Method	Ultrasonic reflection still object detection method
Mounting Height	NZ-1R, NZ-1U : Max. 2.5 m NZ-1H : Max. 3.0 m
Detection Area	NZ-1R, NZ-1U : Max. 1.5 m NZ-1H : Max. 1.3 m
Power Voltage	100V AC \pm 10%
Current Consumption	4.0VA or less
Output Ratings	No-voltage relay contact 1a 50V DC 0.1A (resistance load)

Reference drawing

Dimensions (mm)



Detection area (mm)



Mass : 50g / 60g / 65g