

Features

NP-10 BEAM SENSOR is transmission type photoelectric beam sensor to enhance safety of automatic sliding door.

- Shorter recessed dimension (14mm)
- Easy installation of pressing body into the mounting hole
- The door opens when a photoelectric beam between a transmitter and a receiver in mullions or fixed frames is interrupted by passers-by or objects.
- The door will remain open as long as interrupted.

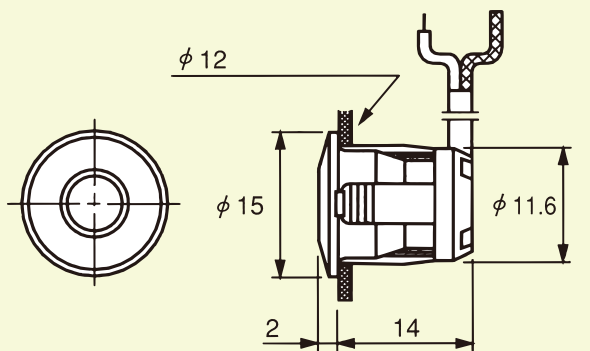


Specification

	NP-10B / NP-10LB BEAM SENSOR
Detection Method	Near Infrared reflection method (Motion and Presence Detection)
Detection Range	NP-10B: Between photocells 0.9 m to 5.0 m NP-10LB: Between photocells 5.0 m to 8.0 m

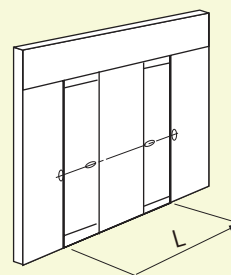
Reference drawing

Dimensions (mm)



Mass : NP-10B 120g
: NP-10LB 230g

Detection area (mm)



Type	Max. detection range
NP-10B	L=5.0m
NP-10LB	L=8.0m