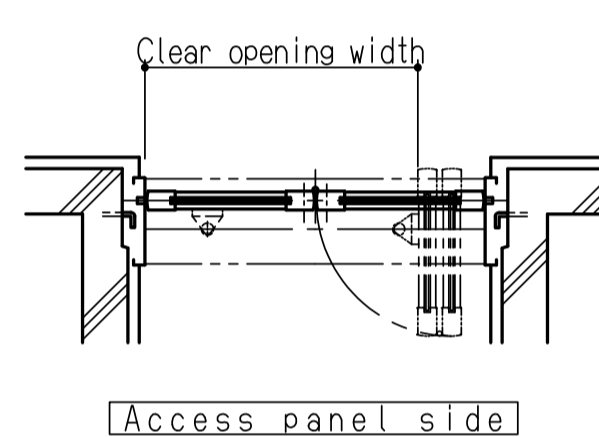
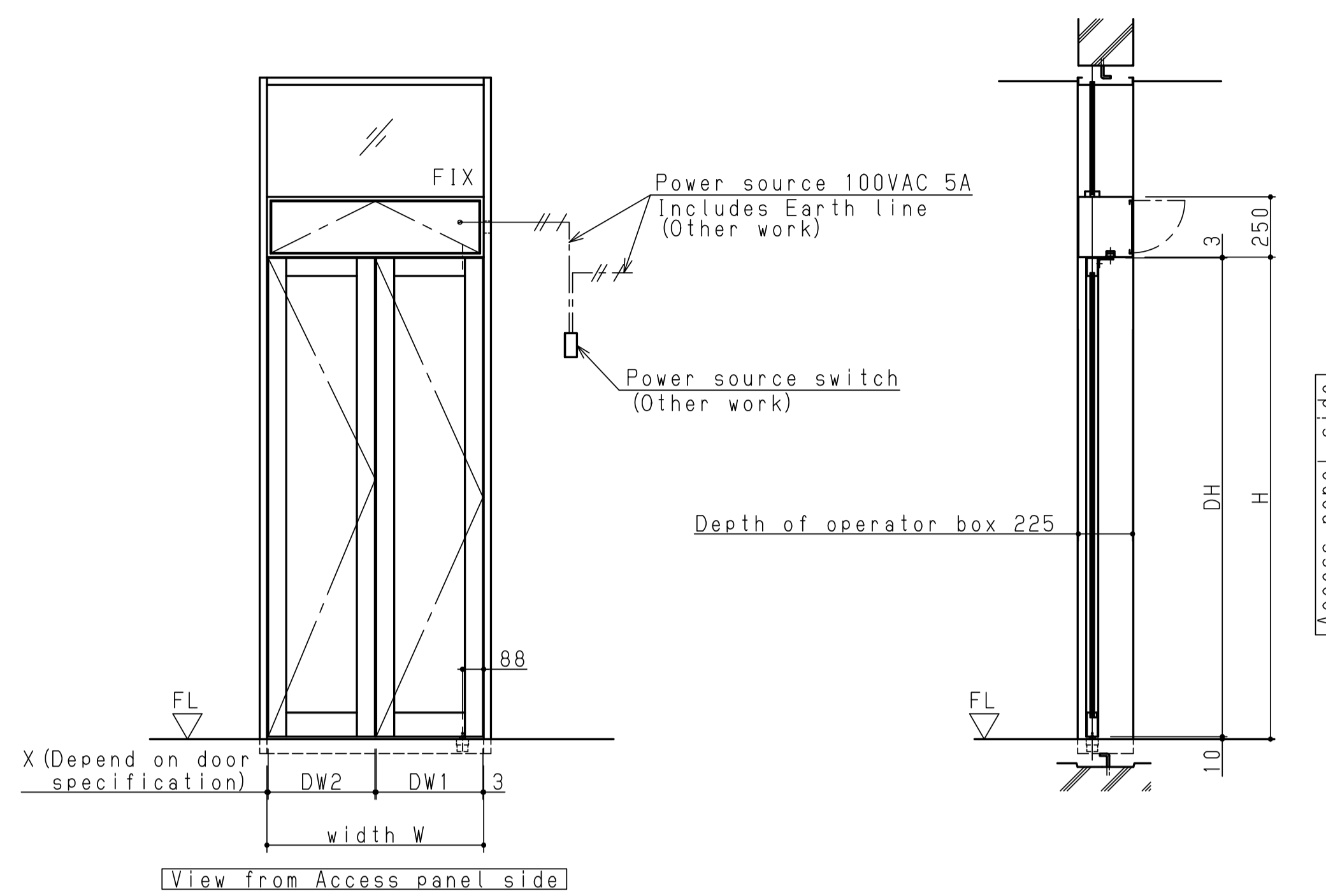
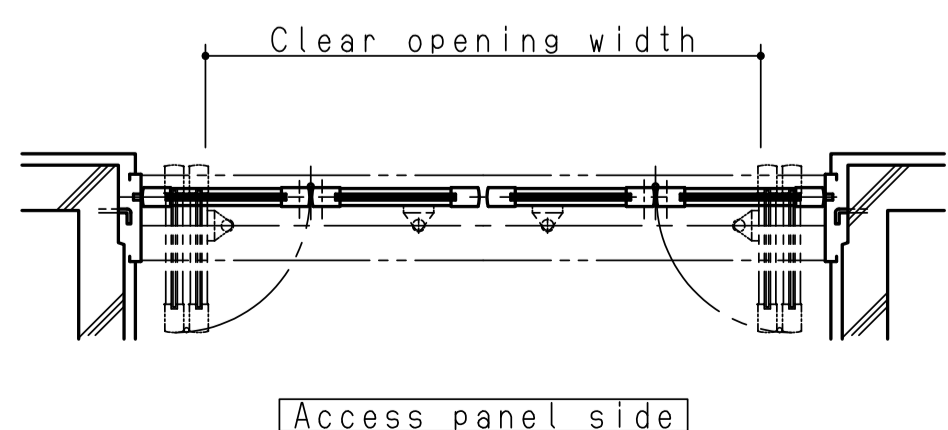
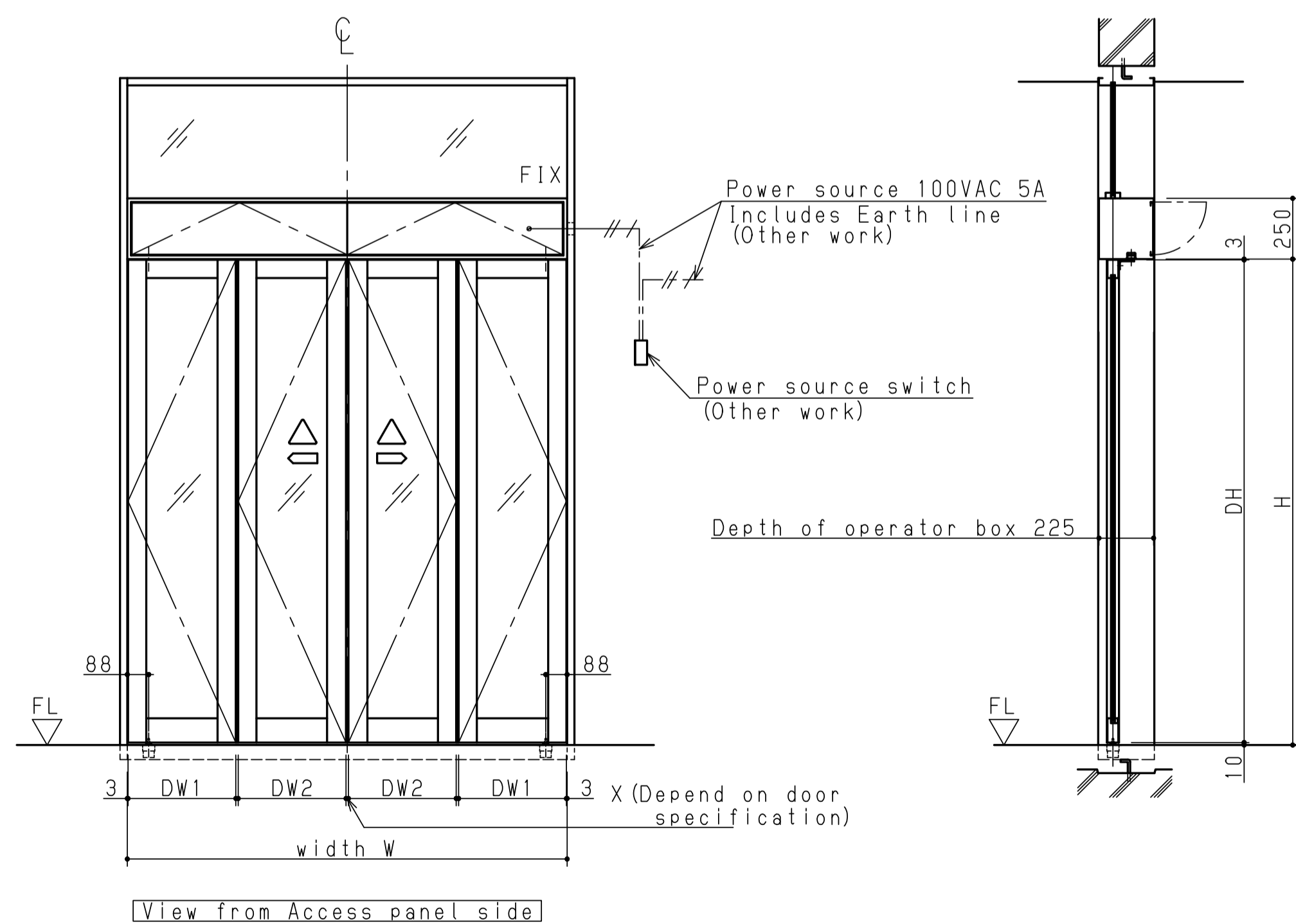


Two leaves
Left hinge
Right hand



Two leaves
Right hinge
Left hand



Four leaves

Specification

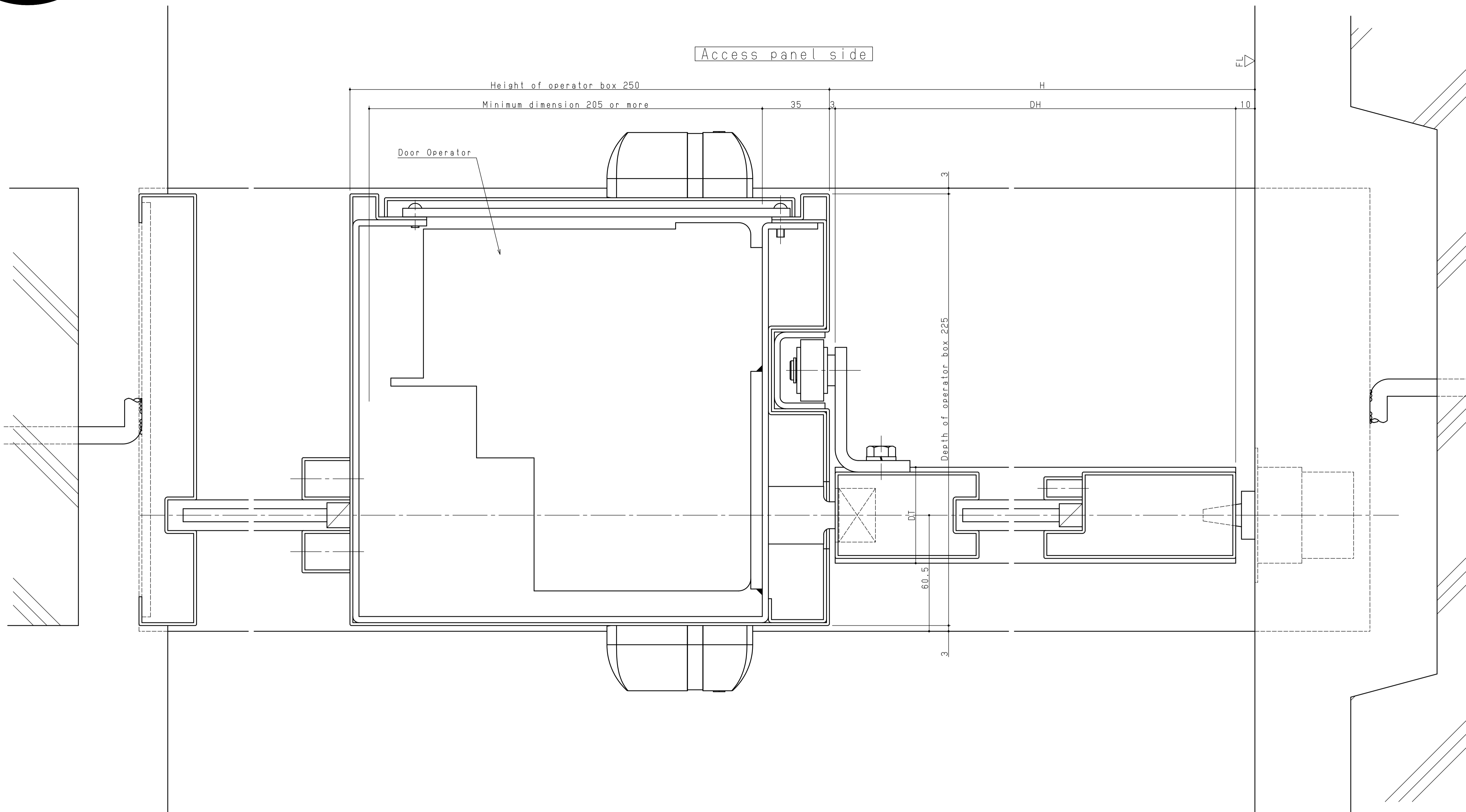
Door Operator (Qty)		DH-41 (one unit)	DH-41 (two unit)	DH-41 (one unit)
Opening Method		Four leaves		Two leaves
Applicability	Applicable Door Mass x Door Qty	50x4	52x4	52x2
	Door area DW XDH (m ²)	Refer to the table on the web page		
Applicable Door Width:DW (mm)		375~495	495~Refer to the table on the web page	
Average speed		~45°/s		
Power supply		100VAC·5A	100VAC·10A	100VAC·5A
Maximum Operable Wind Speed		10m/s or less		

Notice

1. All drawings herein are subject to change without notice.
2. For further details, please contact NABCO sales distributor.

Drawing of DH-41 Door Operator
Folding Door (Elevation)
Scale 1:20

改訂No.	改訂日時
番号 No.	
1HP111617-01	
Nabtesco Nabtesco Corporation	



Notice

- 1. All drawings herein are subject to change without notice.
- 2. For further details, please contact NABCO sales distributors.

Drawing of DH-41 Door Operator
 Folding Door (Section)
 Scale 1:20

改訂No.	改訂日時
1HP111617-02	
Nabtesco Nabtesco Corporation	

参考図書