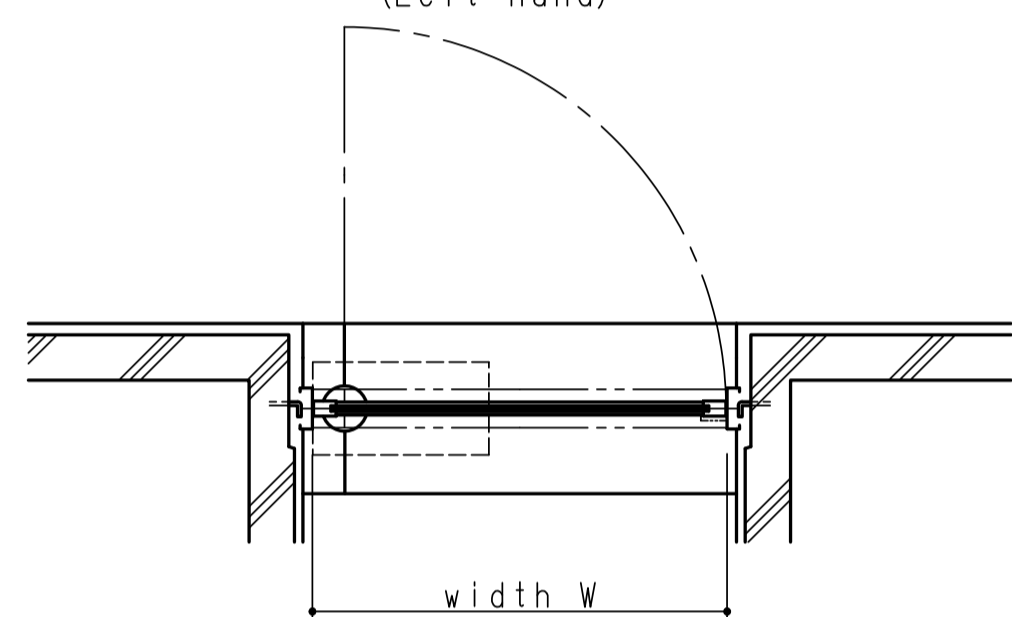
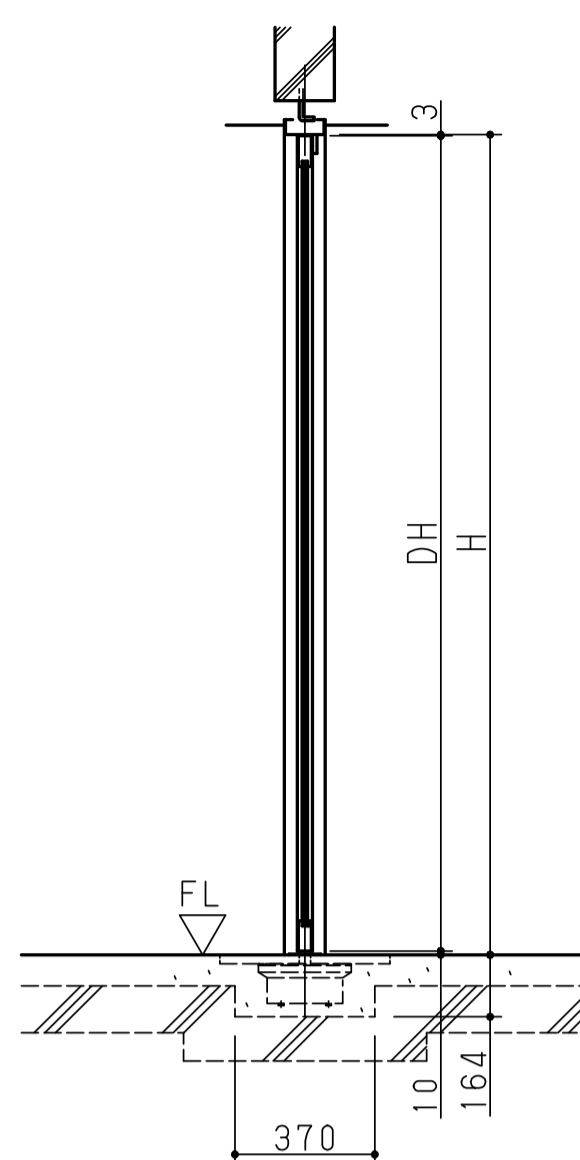


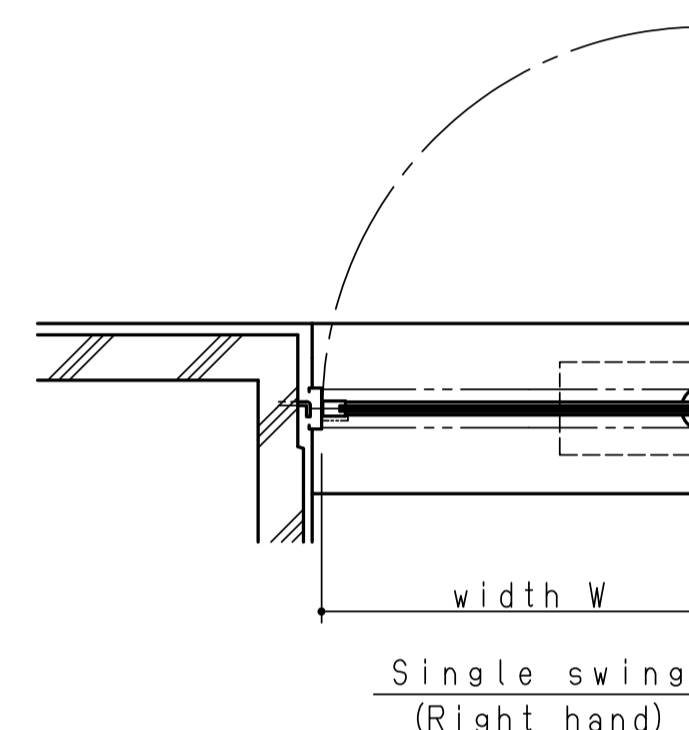
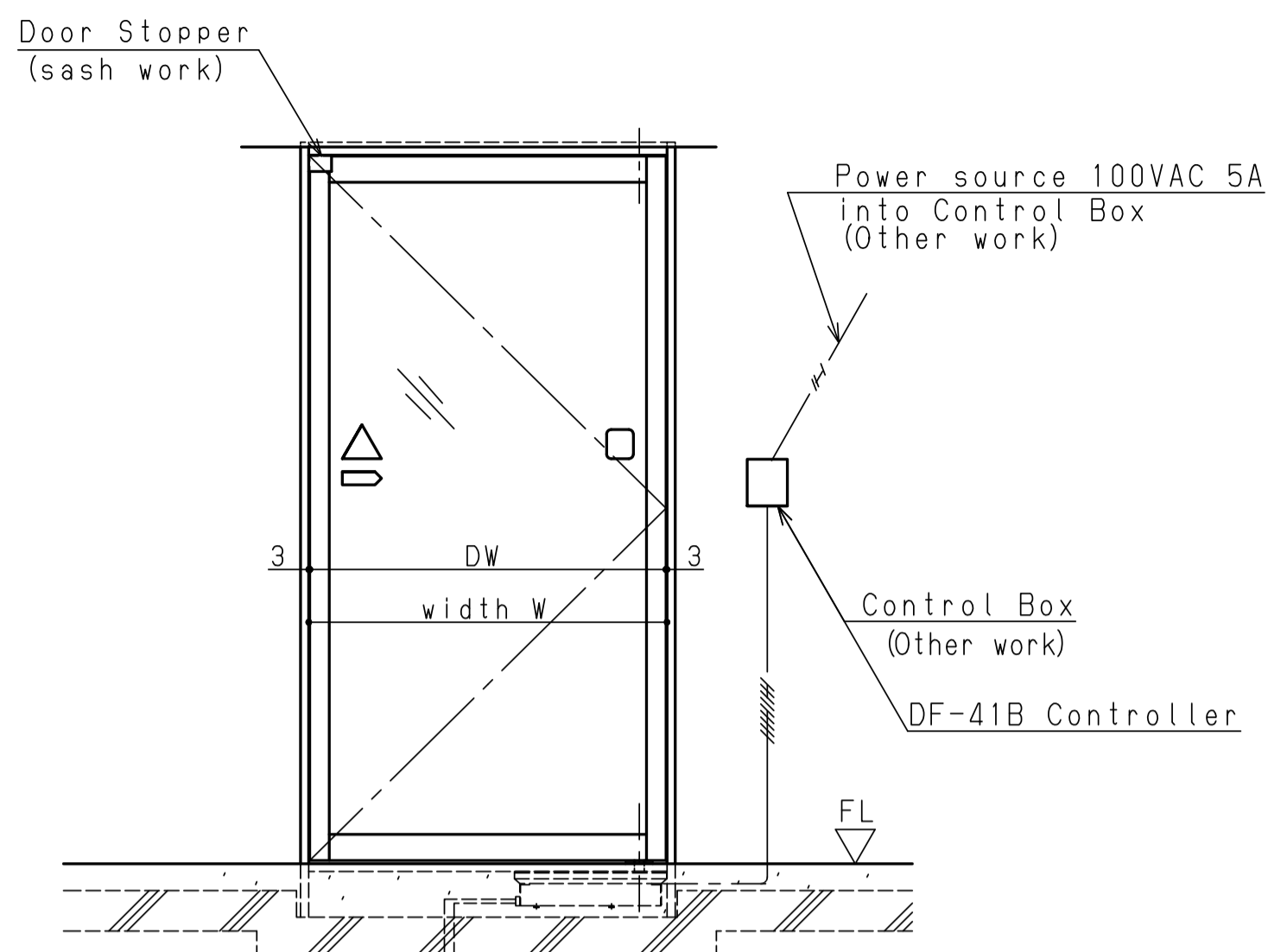
Single swing
(Left hand)



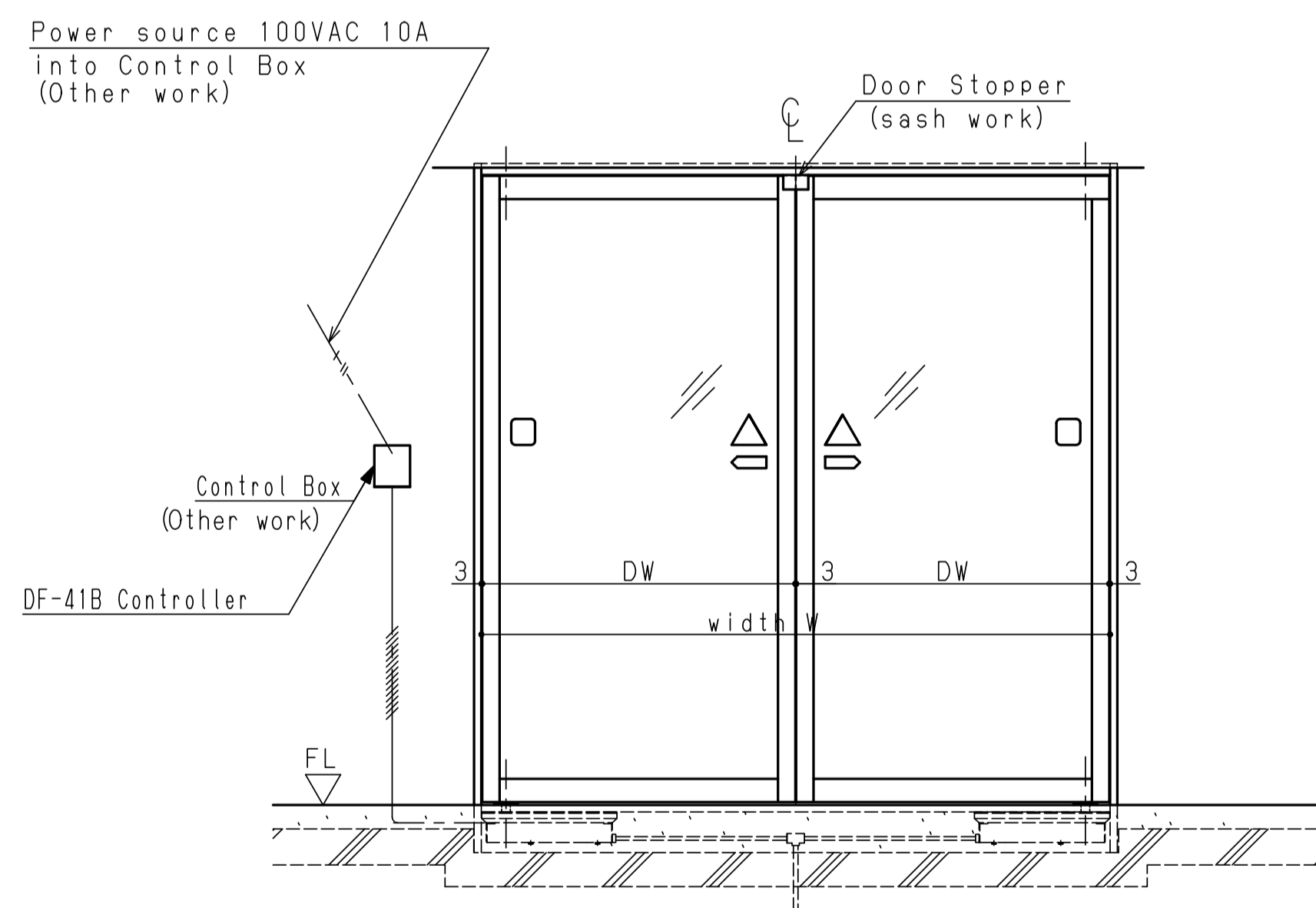
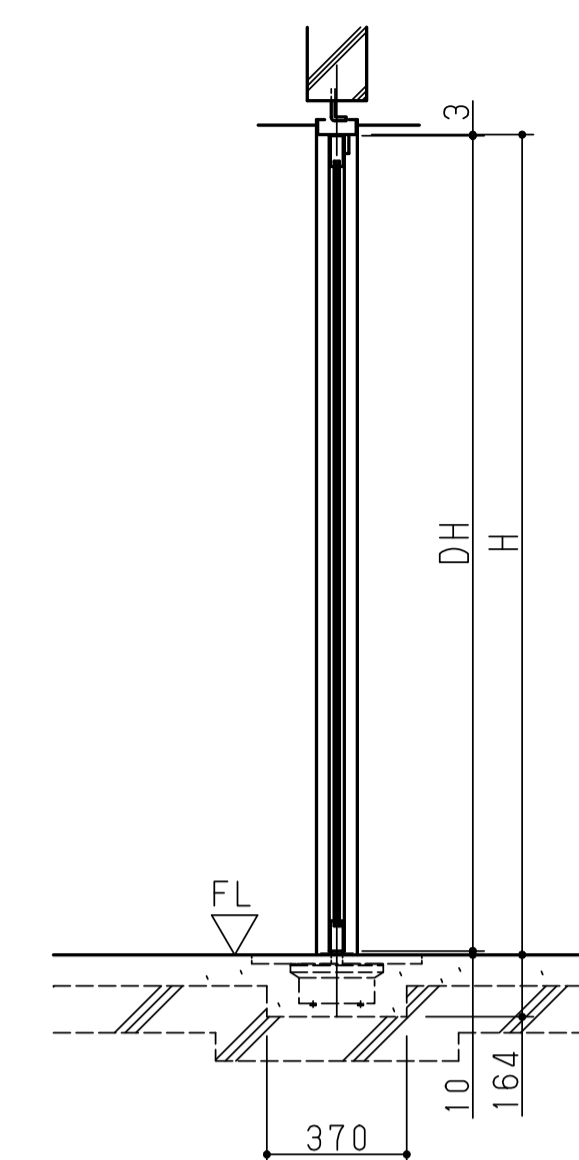
Single swing
(Left hand)



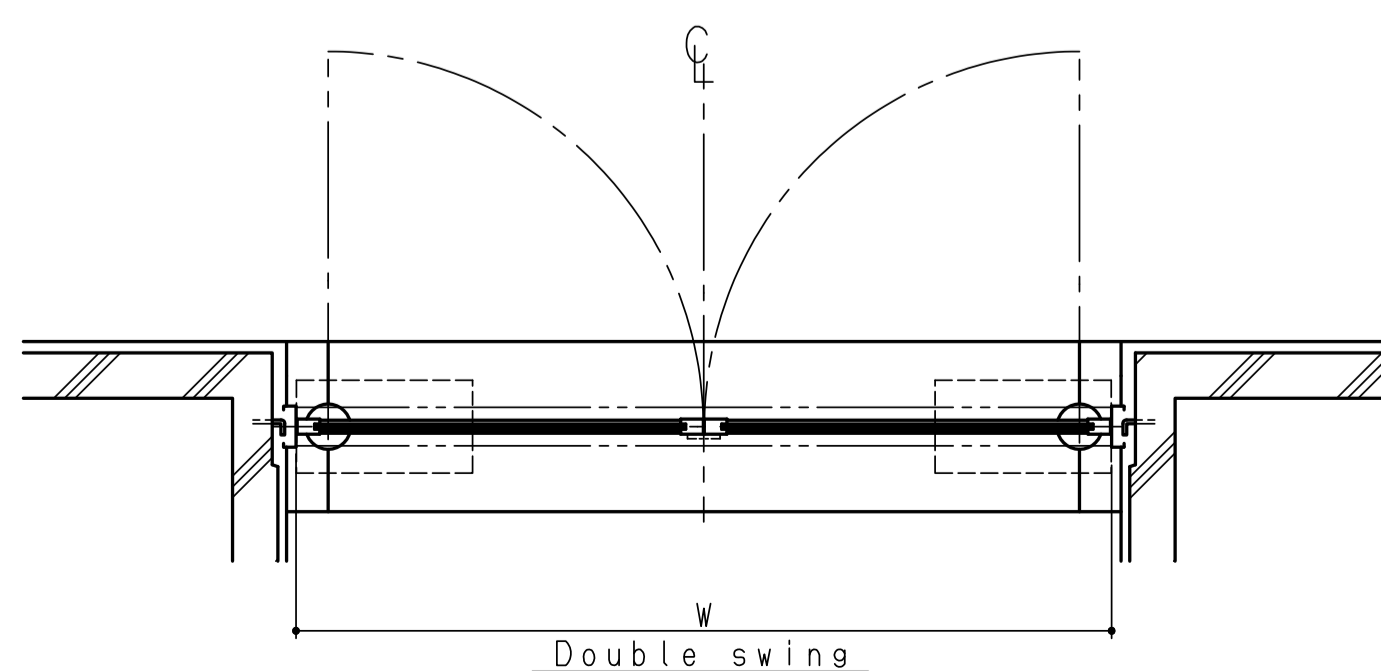
Single swing
(Right hand)



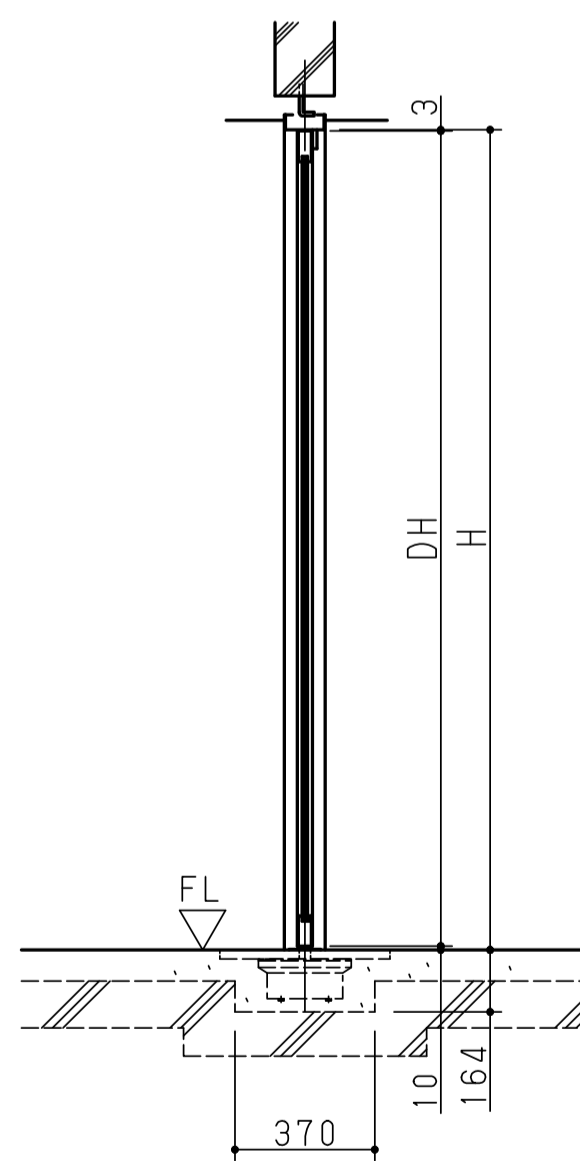
Single swing
(Right hand)



Double swing



Double swing



Specification

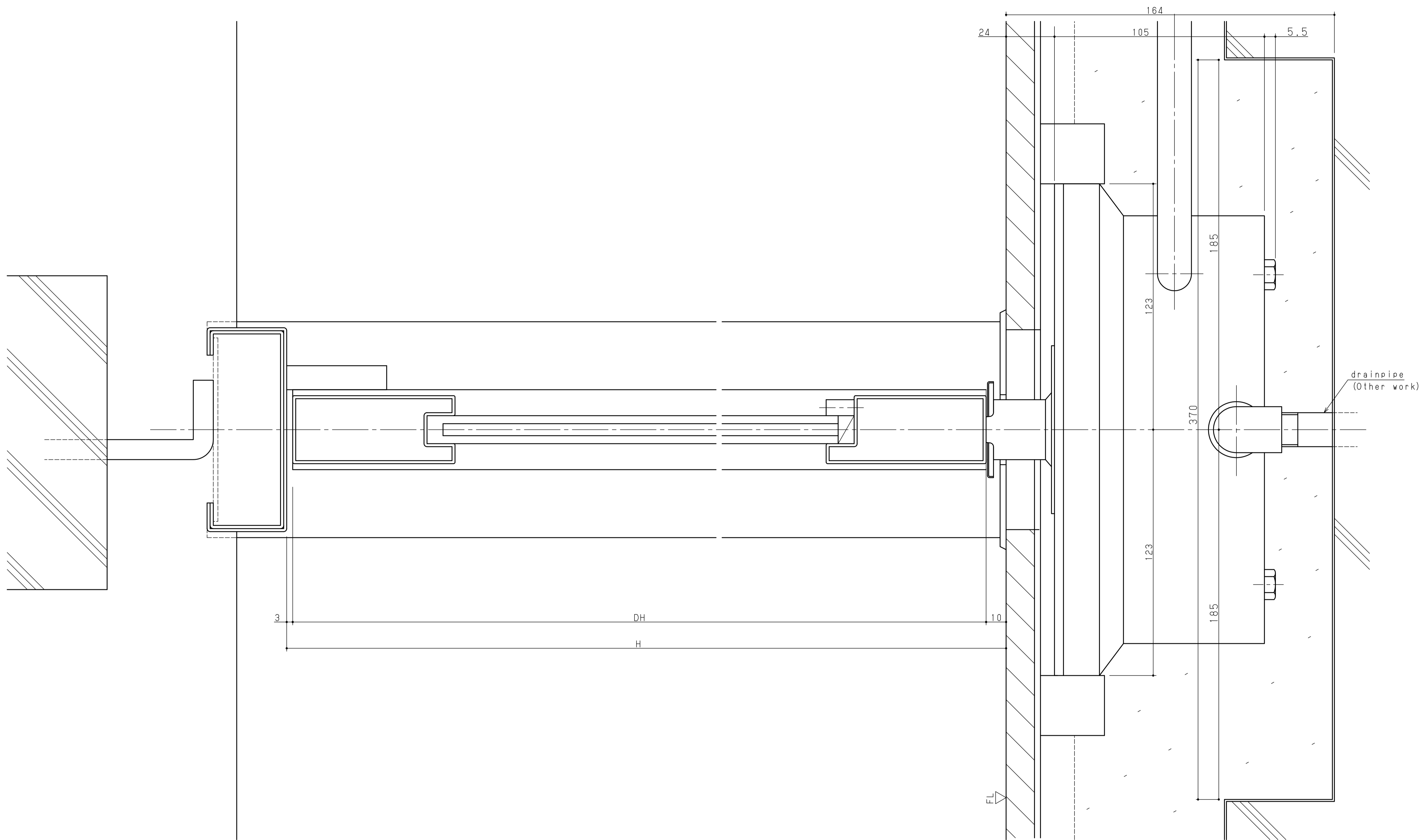
Door Operator		DF-41	
Opening Method		Double swing (Two leaves, 90 degrees)	Single swing (Two leaves, 90 degrees)
Applicability	Applicable Door Mass x Door q'ty	110x2	110x1
	Applicable Door Width :DW (mm)	700~1000	
	reference 12mm Tempered glass door DWxDH (mm)	1067x2134	
	reference 6mm glass-Framed door DWxDH (mm)	1000x2400	
Close speed		~45°/s	
Open speed		~30°/s	
Power supply		100VAC·10A	100VAC·5A
Maximum Operable Wind Speed		10m/s or less	

Notice

1. All drawings herein are subject to change without notice.
2. For further details, please contact NABCO sales distributor.

Drawing of DF-41 Door Operator
Swing Door (Elevation)
Scale 1:20

改訂No.	改訂日時
番号 No.	
1HP100804-01	
Nabtesco Nabtesco Corporation	



Notice

1. All drawings herein are subject to change without notice.
2. For further details, please contact NABCO sales distributors

Drawing of DF-41 Door Operator
Swing Door (Section)
Scale 1:1

改訂No. Revision No.	改訂日時 Revision Date
1HP100804-02	
Nabtesco Nabtesco Corporation	

参考書