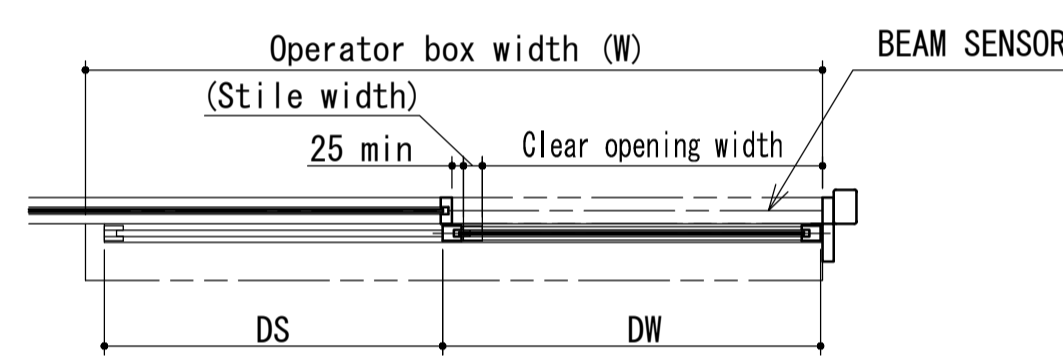
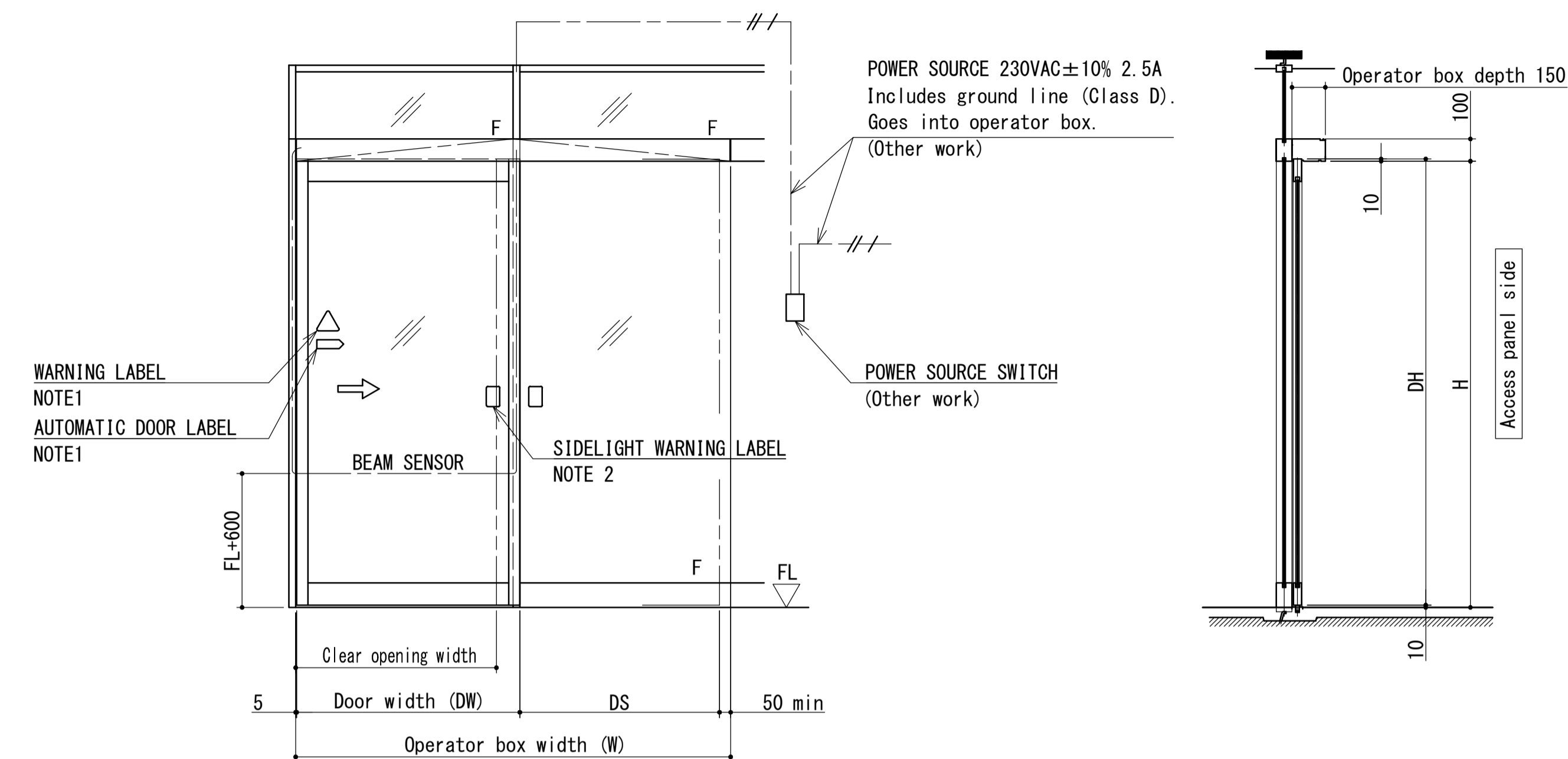


View from access panel side

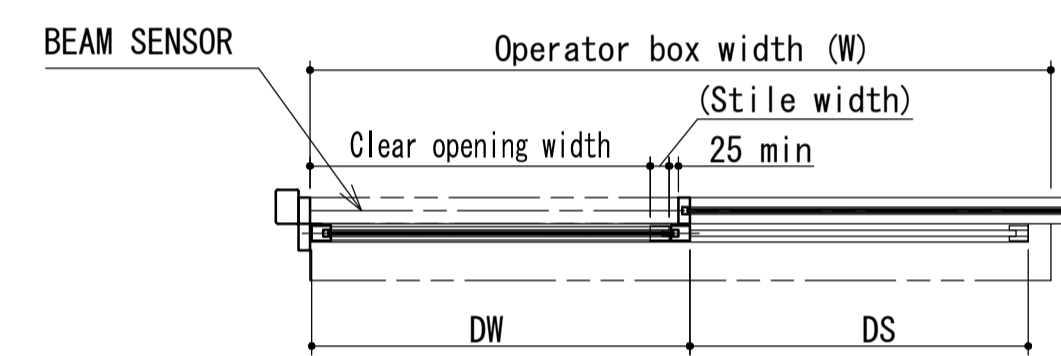


Access panel side

Single slide (Right hand)



View from access panel side



Access panel side

Single slide (Left hand)

NOTE

- Use safety glass.
- 1. Attach the warning label and automatic door label to the door.
- 2. Attach more than 1 label to the door at least, positioning center of the label from FL+750mm to 1750mm in height.

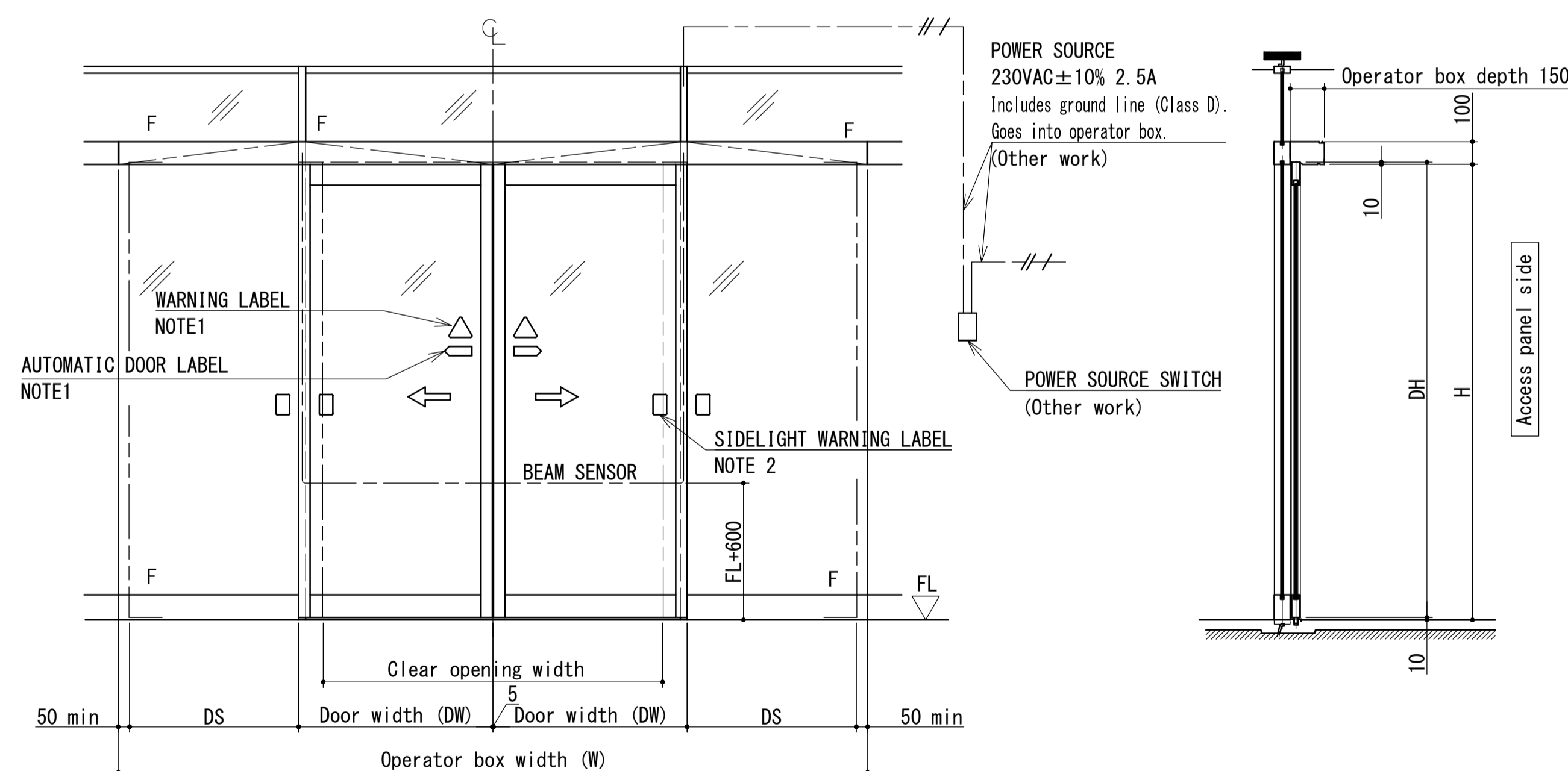
Specification

Opening Method	Single Sliding			Bi-parting		
	VS-60	VS-85	VS-150	VS-60	VS-85	VS-150
Door Operator						
Railbase	Type HM					
Applicability	Door Weight (kg) x Door q'ty					
	75 x 1	100 x 1	120 x 1	60 x 2	85 x 2	120 x 2
	Door width : DW (mm)					
	650-2500					
	Ratio of DH/DW					
	4 or less					
	Door operation speed (m/s)					
	0.1 - 0.7					
	Power supply					
	230VAC±10%, 50/60Hz, 2.5A					
Available ambient conditions	Ambient temperature					
	-20 to 50°C					
	Ambient humidity					
	20 to 90% RH (no icing or condensation)					
	Electromagnetic field immunity					
	Industrial environment (IEC/JIS C 61000-6-2)					

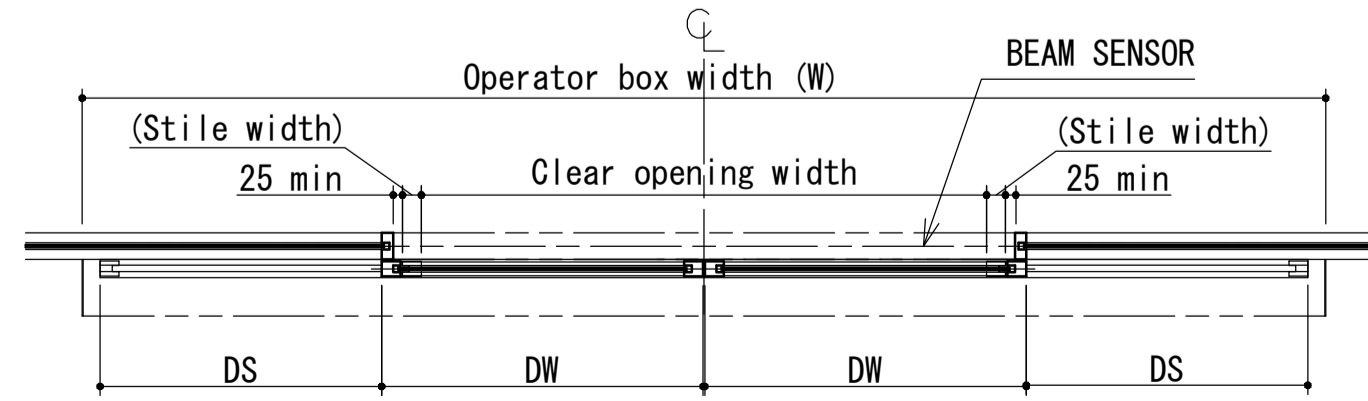
Notice

- 1. All drawings herein are subject to change without notice.
- 2. For further details, please contact NABCO sales distributors.

Drawing of V-60/85/150SL-HM
Surface mounted type (100 mm surface)
(Elevation)
Scale 1:20



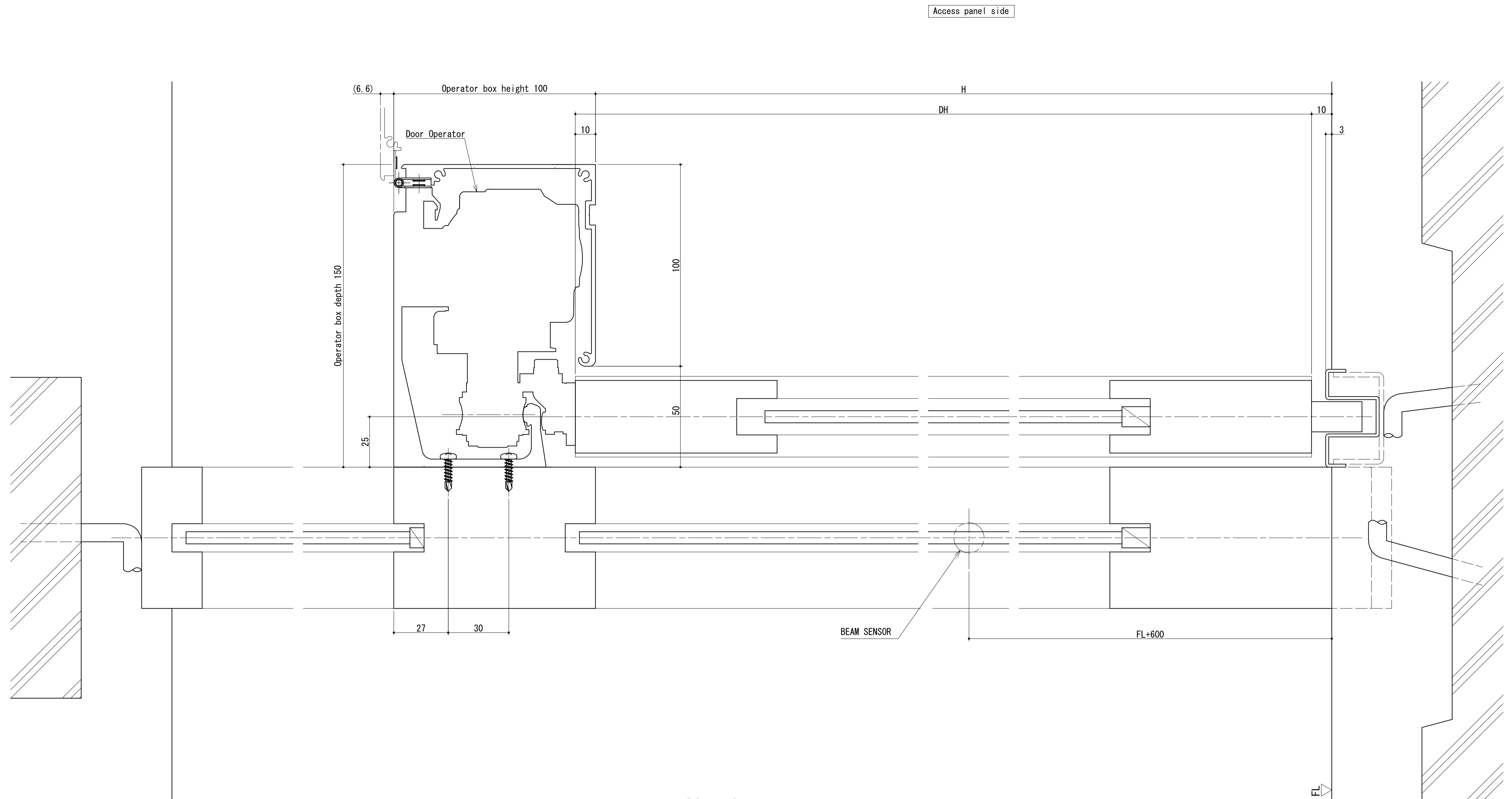
View from access panel side



Access panel side

Bi-Parting slide

-	-
初版	2019.08.01
改訂No.	改訂日時
番号 No.	
1DK202033	



Notice

1. All drawings herein are subject to change without notice.
2. For further details, please contact NABCO sales distributors.

Drawing of V-60/85/150SL-HM
 Surface mounted type (100 mm surface)
 (Section)
 Scale 1:1

-	-
初版	2019.08.01
改訂No.	改訂日時
番号 No.	1DK202033