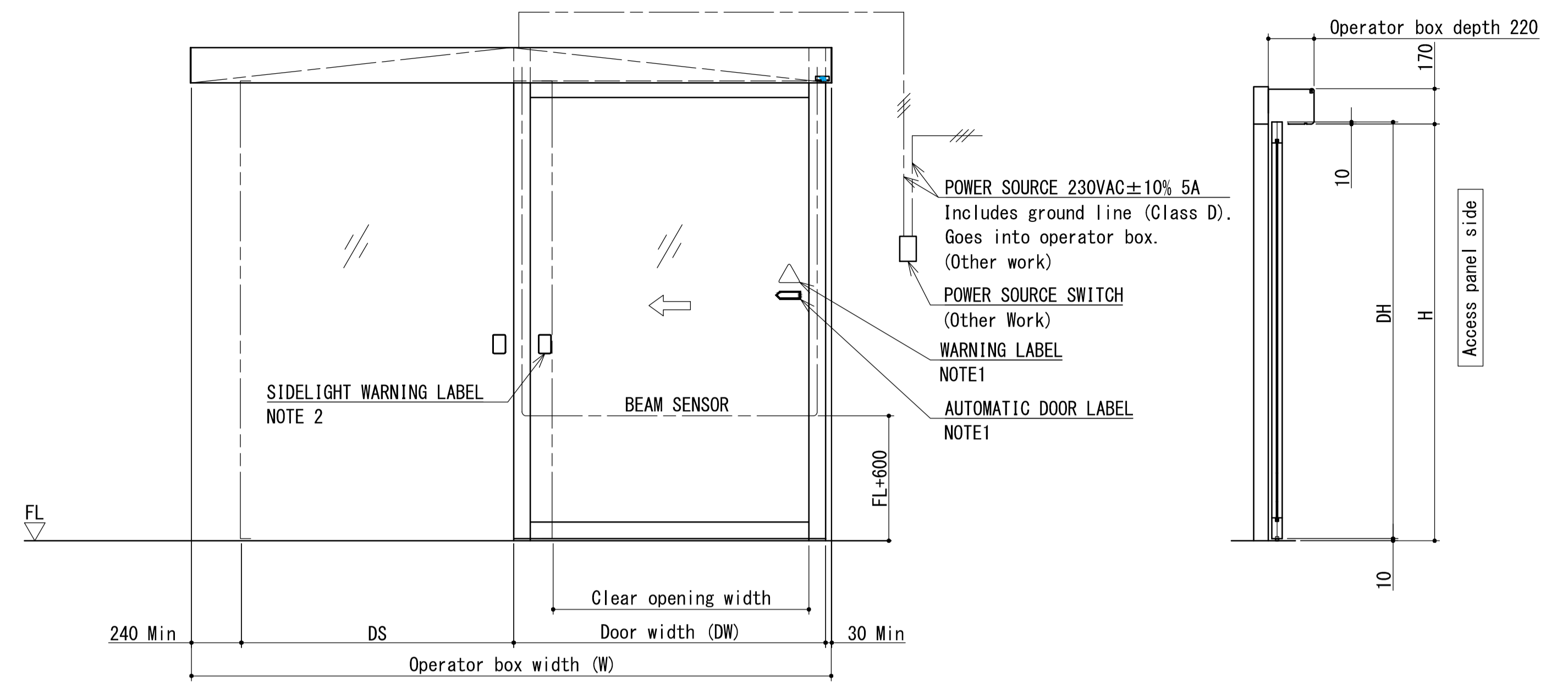
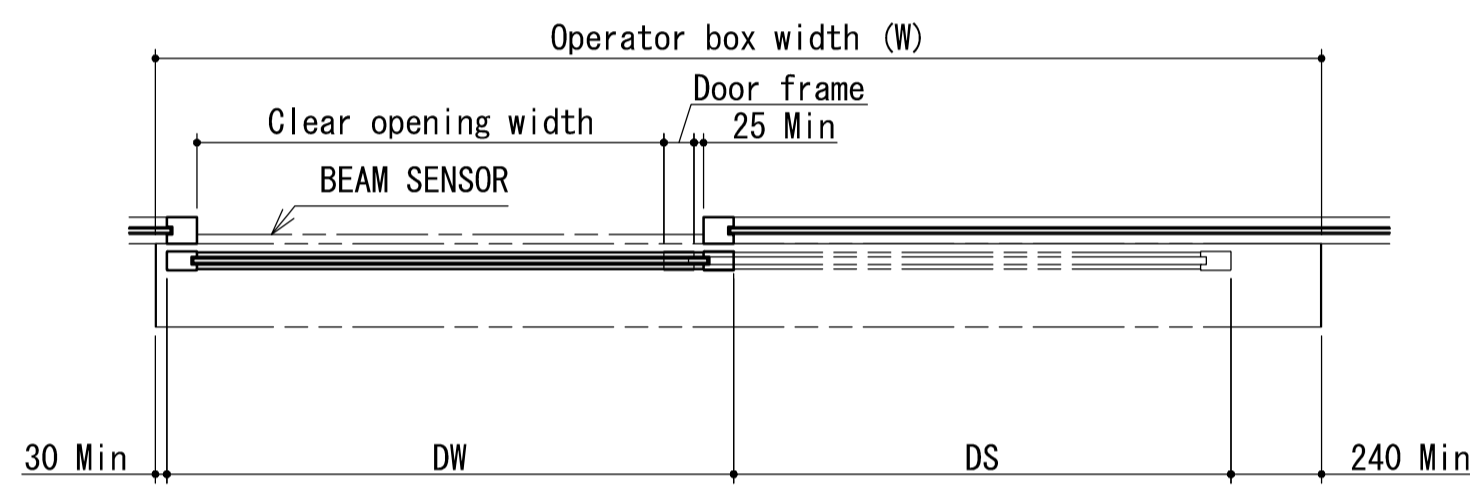


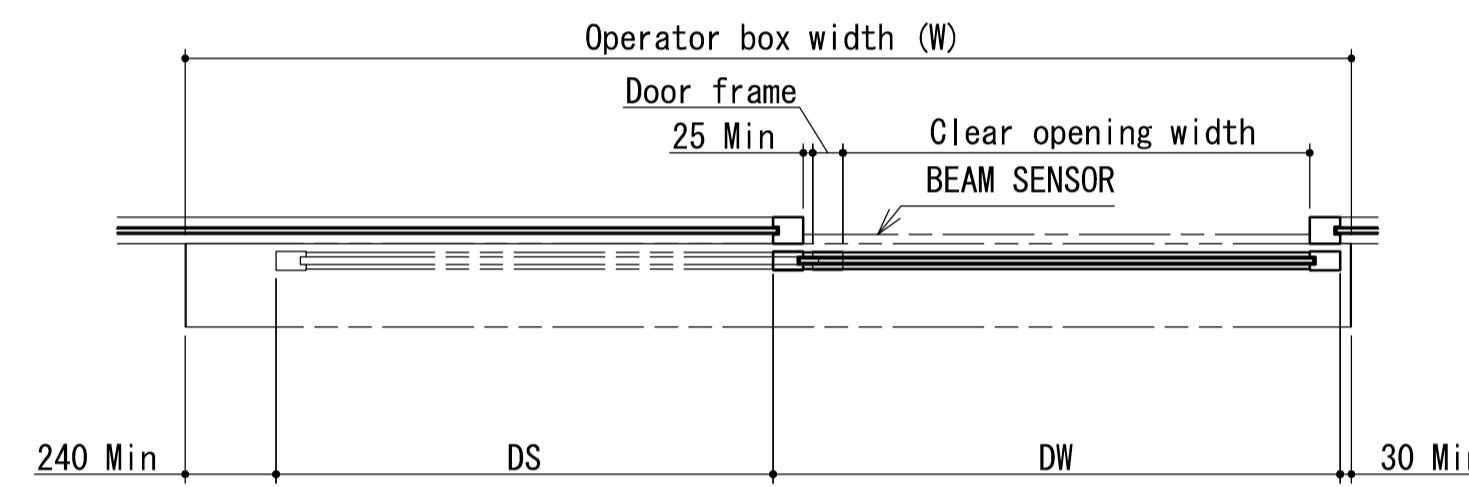
View from access panel side



View from access panel side



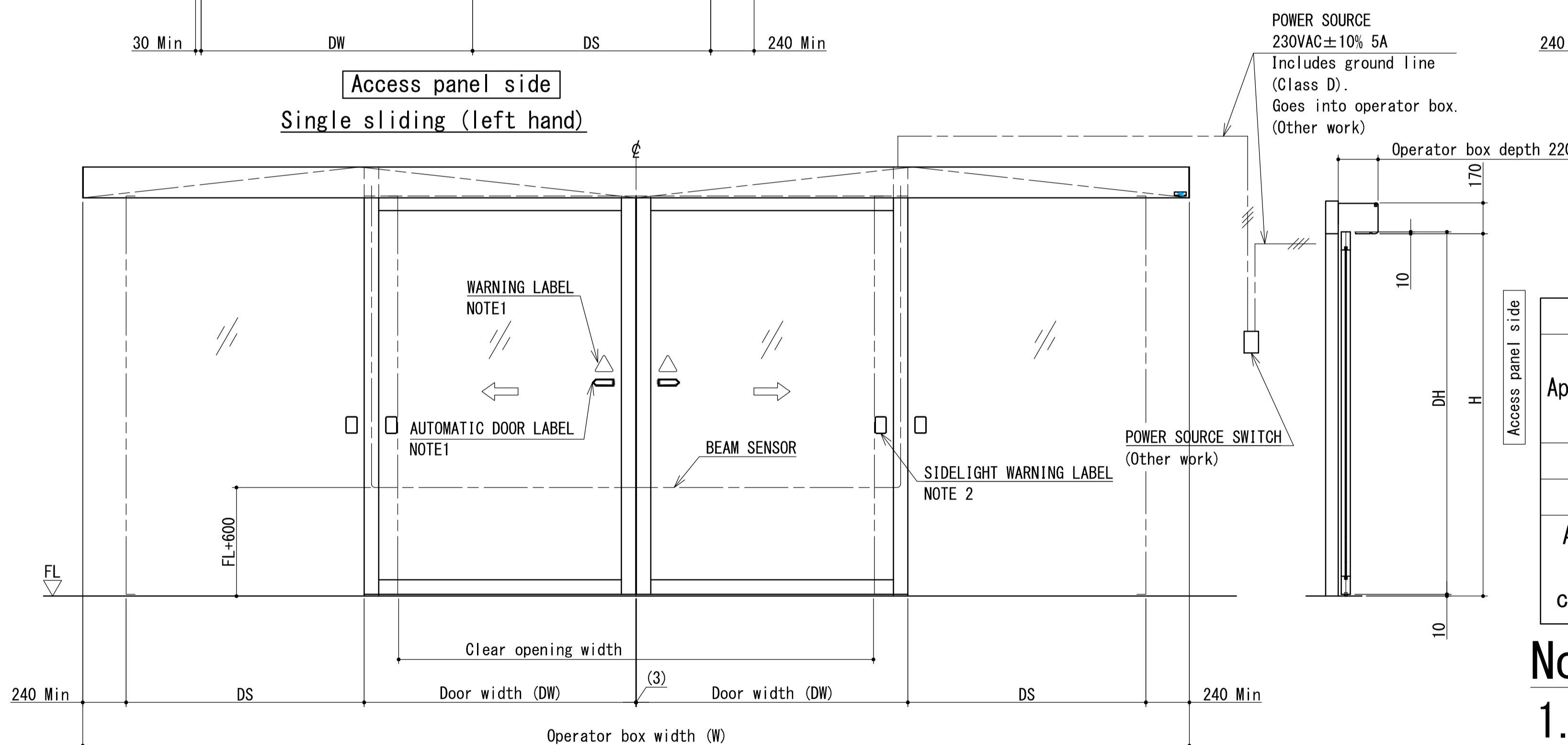
Access panel side
Single sliding (left hand)



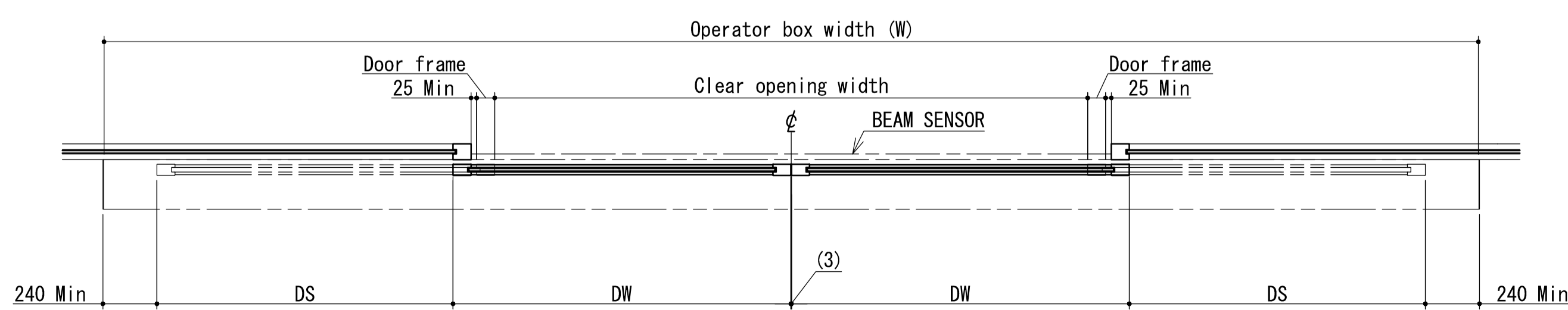
Access panel side
Single sliding (right hand)

NOTE

- Use safety glass.
- 1. Attach the warning label and automatic door label to the door.
- 2. Attach more than 1 label to the door at least, positioning center of the label from FL+750mm to 1750mm in height.



View from access panel side



Access panel side
Bi-parting sliding

Specification

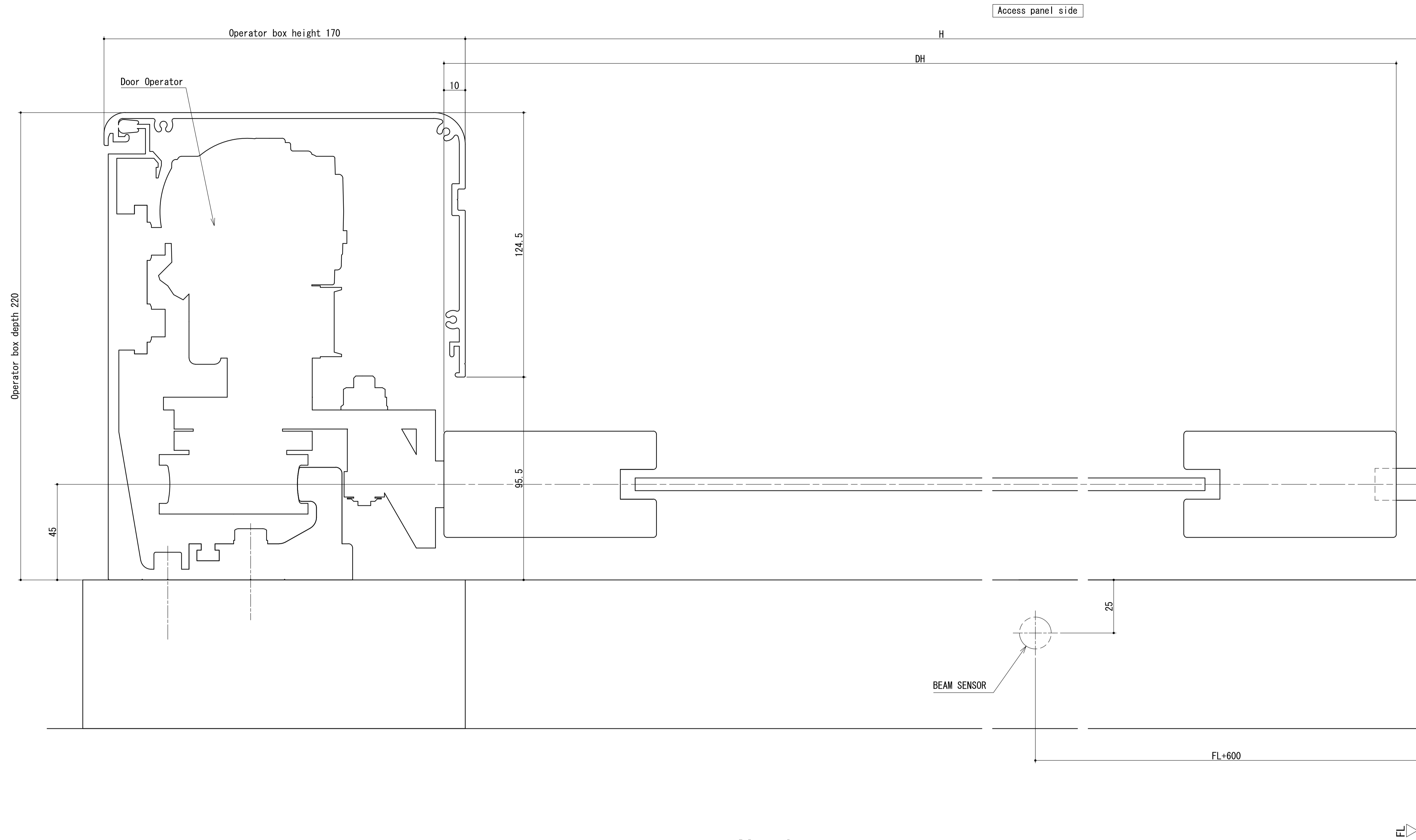
Opening Method		Single Sliding	Bi-parting
Applicability	Door Weight (kg) x Door q'ty	250 x 1	250 x 2
	Door width : DW (mm)	1200-2700	900-2700
	Ratio of DH/DW	3 or less	
Door operation speed (m/s)		0.1 - 0.7	
Power supply		230VAC ± 10%, 50/60Hz, 2.5A	
Available ambient conditions	Ambient temperature	-20 to 50°C	
	Ambient humidity	20 to 90% RH (no icing or condensation)	
	Electromagnetic field immunity	Industrial environment (IEC/JIS C 61000-6-2)	

Notice

1. All drawings herein are subject to change without notice.
2. For further details, please contact NABCO sales distributors.

**Drawing of V-250SL-M
Surface mounted type
(Elevation)
Scale 1:20**

-	-
初版	2020.12.01
改訂No.	改訂日時
番号 No.	1DK202893



Notice

1. All drawings herein are subject to change without notice.
2. For further details, please contact NABCO sales distributors.

Drawing of V-250SL-M
 Surface mounted type
 (Section)
 Scale 1:1

-	-
初版	2020.12.01
改訂No.	改訂日時
番号 No.	1DK202893