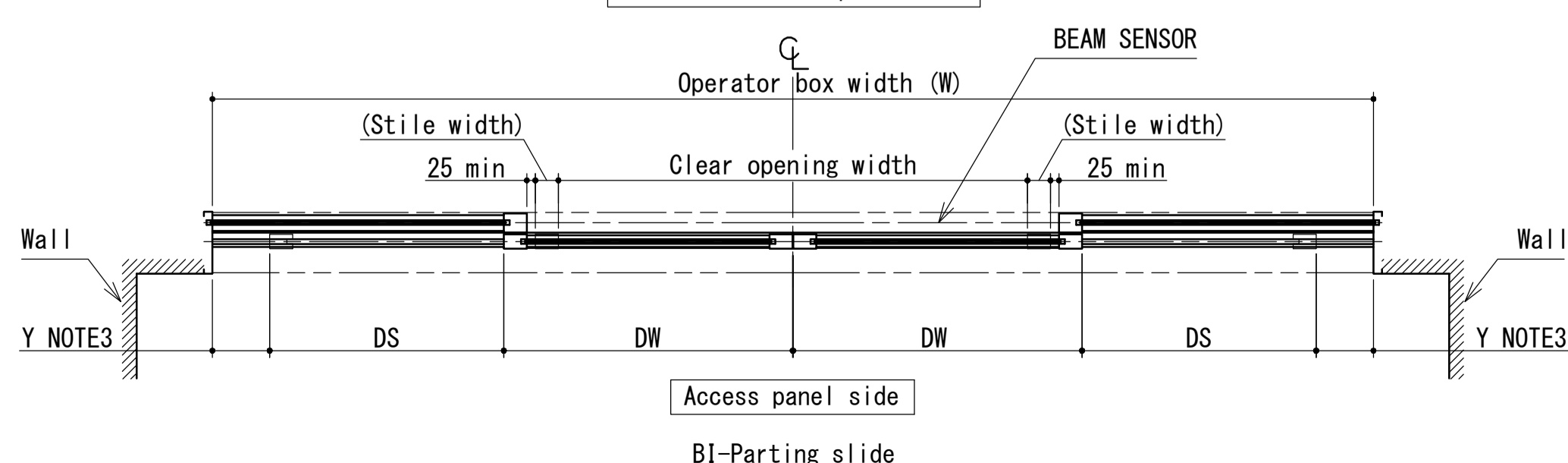
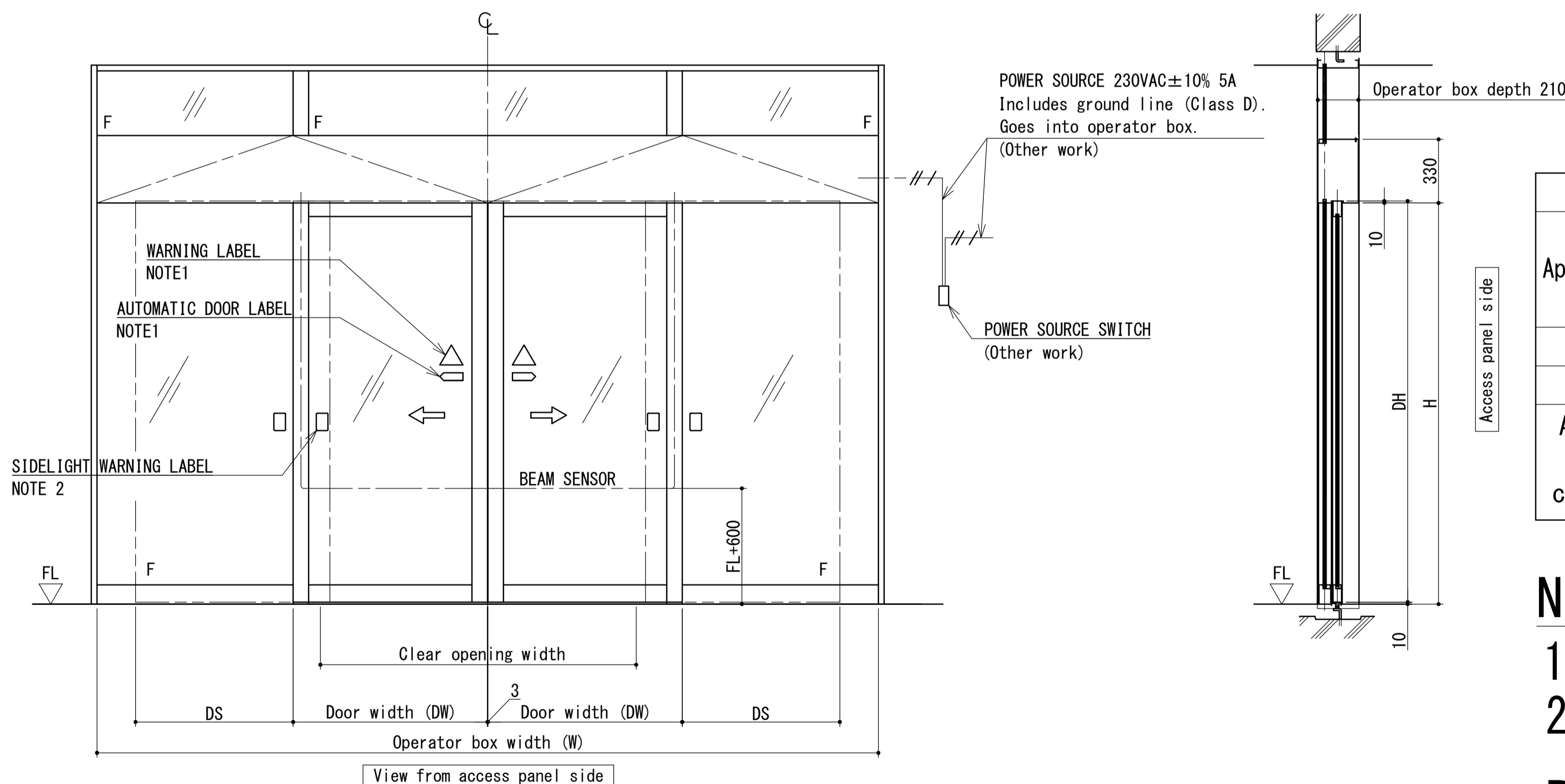


**NOTE**

- Use safety glass.
- 1. Attach the warning label and automatic door label to the door.
- 2. Attach more than 1 label to the door at least, positioning center of the label from FL+750mm to 1750mm in height.
- 3. To ensure safety, secure the dimension below.  
 $Y \geq 200 \text{ mm}$   
 If it is difficult to secure above dimension, take another measure, for example installing safety fence.



**Specification**

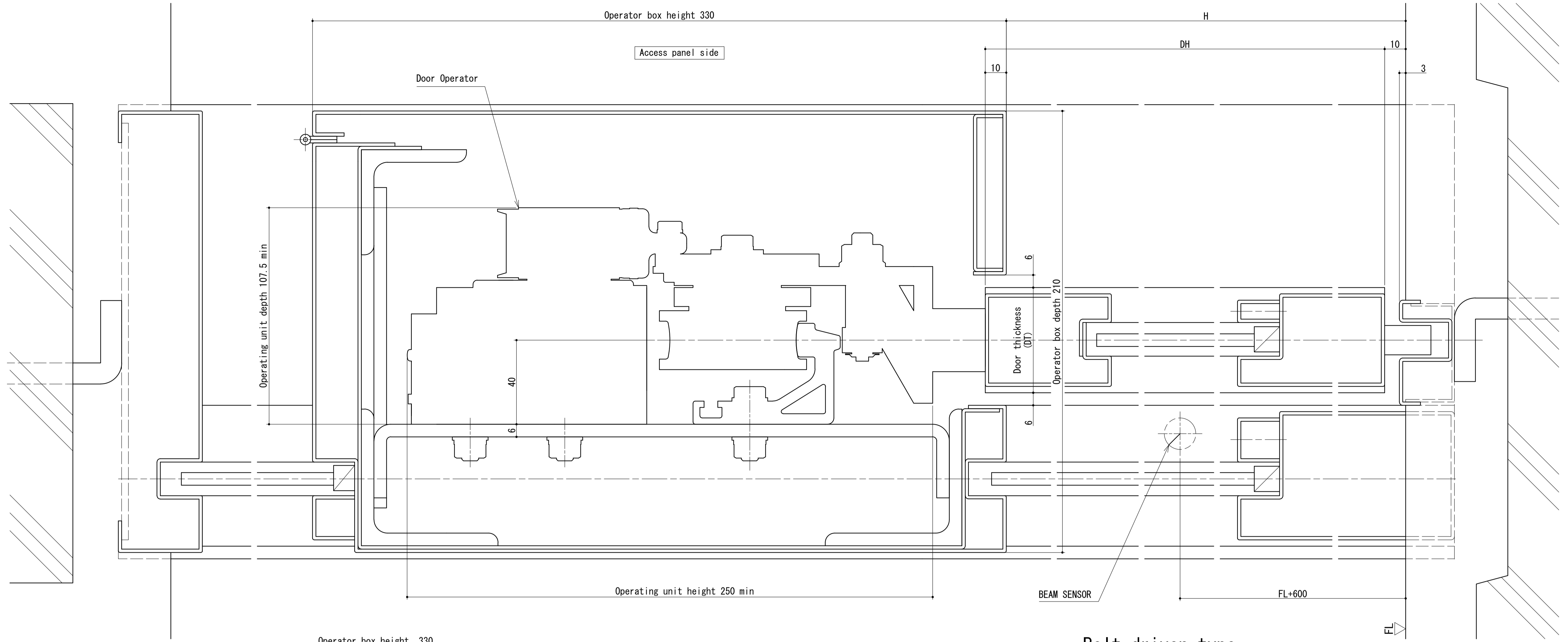
Opening Method		Single Sliding	Bi-parting
Applicability	Door Mass (kg) x Door q'ty	500 or less x 1	250 or less x 2
	Door width : DW (mm)	1200-2700	900-2700
	Ratio of DH/DW	3 or less	
Door operation speed (m/s)		0.1 - 0.7	
Power supply		230VAC±10%, 50/60Hz, 5A	
Available ambient conditions	Ambient temperature	-20 to 50°C	
	Ambient humidity	20 to 90% RH (no icing or condensation)	
	Electromagnetic field immunity	Industrial environment (IEC/JIS C 61000-6-2)	

**Notice**

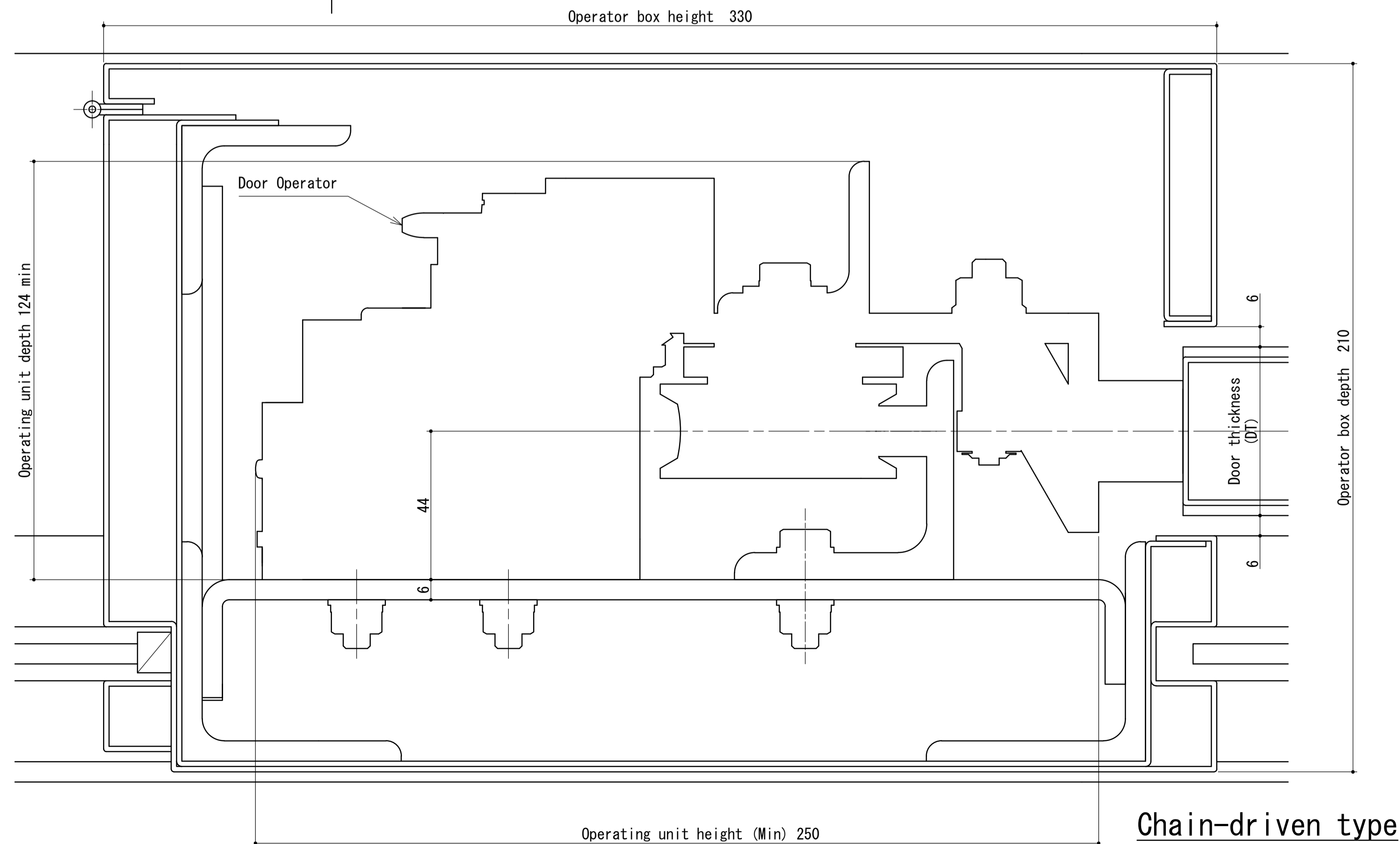
- 1. All drawings herein are subject to change without notice.
- 2. For further details, please contact NABCO sales distributors.

**Drawing of V-250SL-F  
Stainless steel sash  
(Elevation)  
Scale 1:20**

-	-
初版	2019.08.01
改訂No.	改訂日時
番号 No.	
1DK201176	



Belt-driven type



Chain-driven type

### Notice

1. All drawings herein are subject to change without notice.
2. For further details, please contact NABCO sales distributors.

## Drawing of V-250SL-F Stainless steel sash (Section) Scale 1:1

-	-
初版	2019.08.01
改訂No.	改訂日時
番号 No.	1DK202036