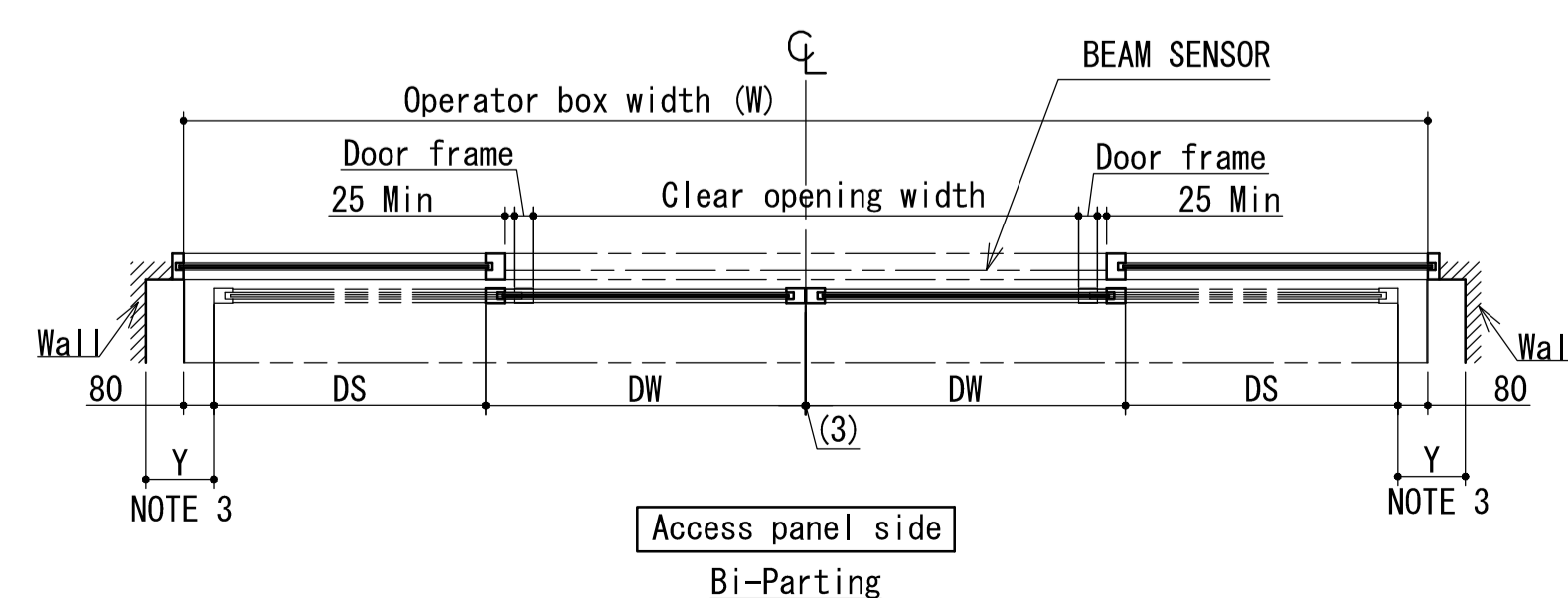
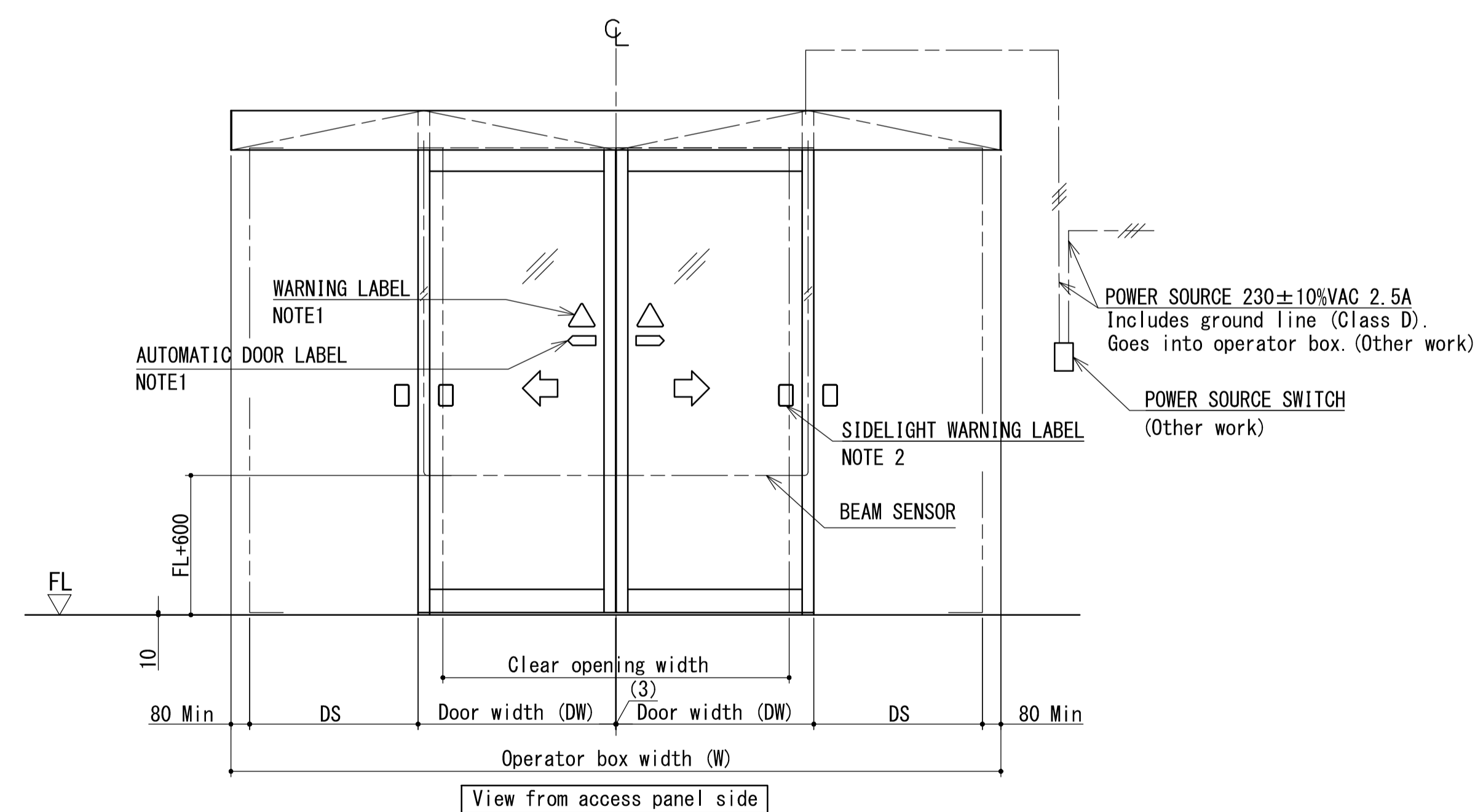


**NOTE**

- Use safety glass.

1. Attach the warning label and automatic door label to the door.
2. Attach more than 1 label to the door at least, positioning center of the label from FL+750mm to 1750mm in height.
3. To ensure safety, secure the dimension below.  
Y ≥ 200 mm  
If it is difficult to secure above dimension, take another measure, for example installing safety fence.



**Specification**

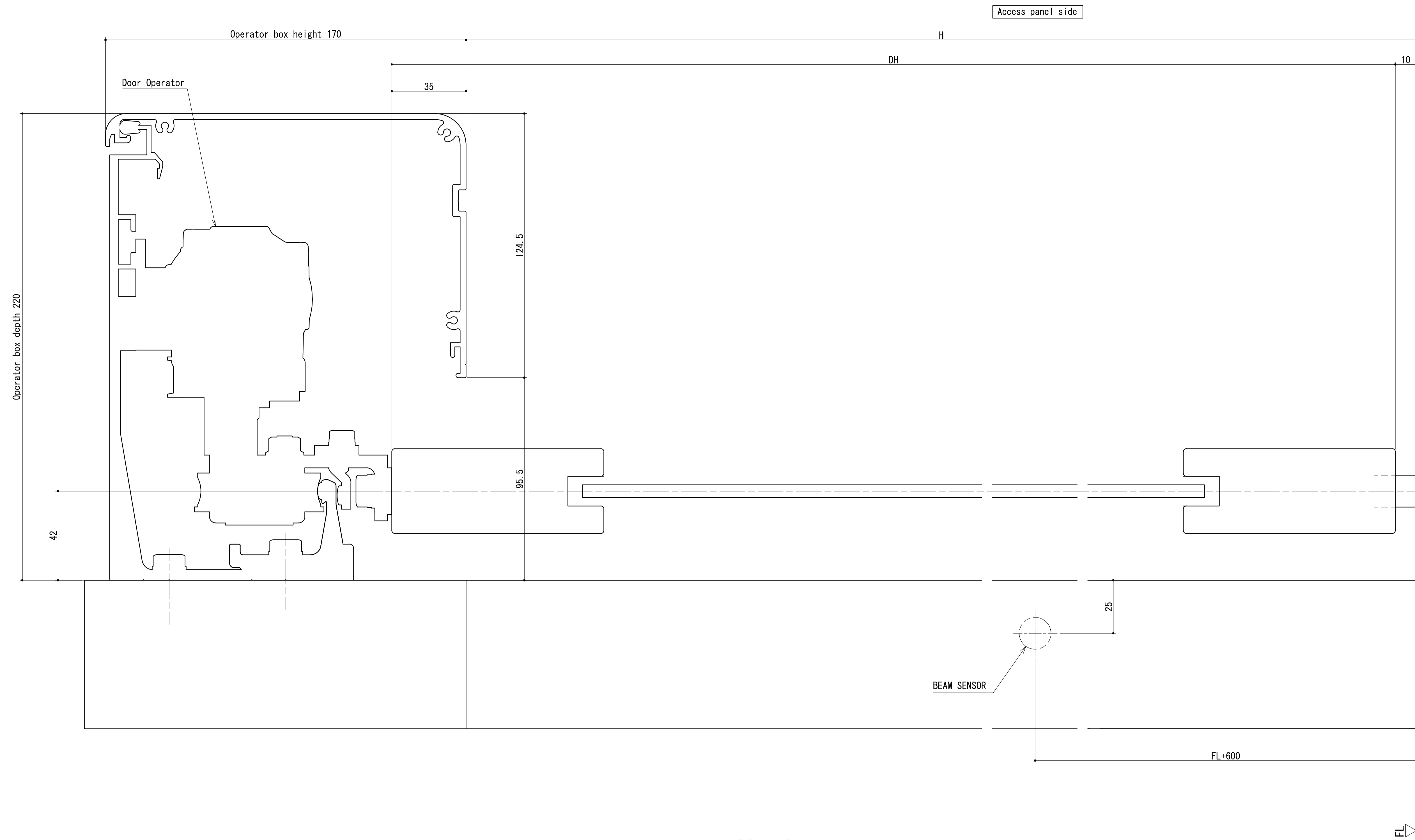
Opening Method		Single Sliding	Bi-parting
Applicability	Door Weight (kg) x Door q'ty	150 x 1	150 x 2
	Door width : DW (mm)	650-2500	
	Ratio of DH/DW	4 or less	
Door operation speed (m/s)		0.1 - 0.7	
Power supply		230VAC±10%, 50/60Hz, 2.5A	
Available ambient conditions	Ambient temperature	-20 to 50°C	
	Ambient humidity	20 to 90% RH (no icing or condensation)	
	Electromagnetic field immunity	Industrial environment (IEC/JIS C 61000-6-2)	

**Notice**

1. All drawings herein are subject to change without notice.
2. For further details, please contact NABCO sales distributors.

**Drawing of V-150SL-M  
Surface mounted type  
(Elevation)  
Scale 1:20**

-	-
初版	2020.12.01
改訂No.	改訂日時
番号 No.	1DK202893



### Notice

1. All drawings herein are subject to change without notice.
2. For further details, please contact NABCO sales distributors.

## Drawing of V-150SL-M Surface mounted type (Section) Scale 1:1

-	-
初版	2020.12.01
改訂No.	改訂日時
番号 No.	1DK202893