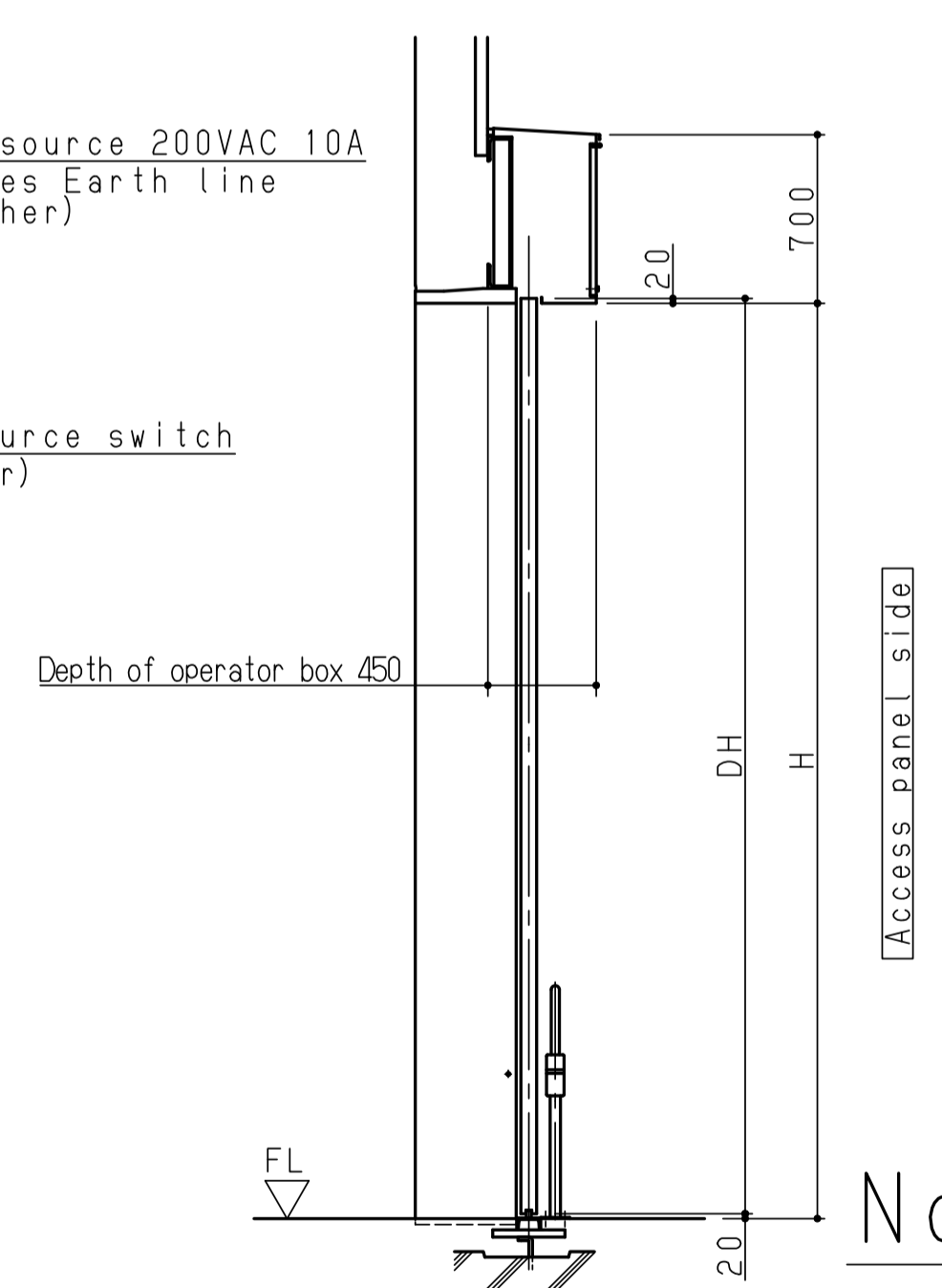
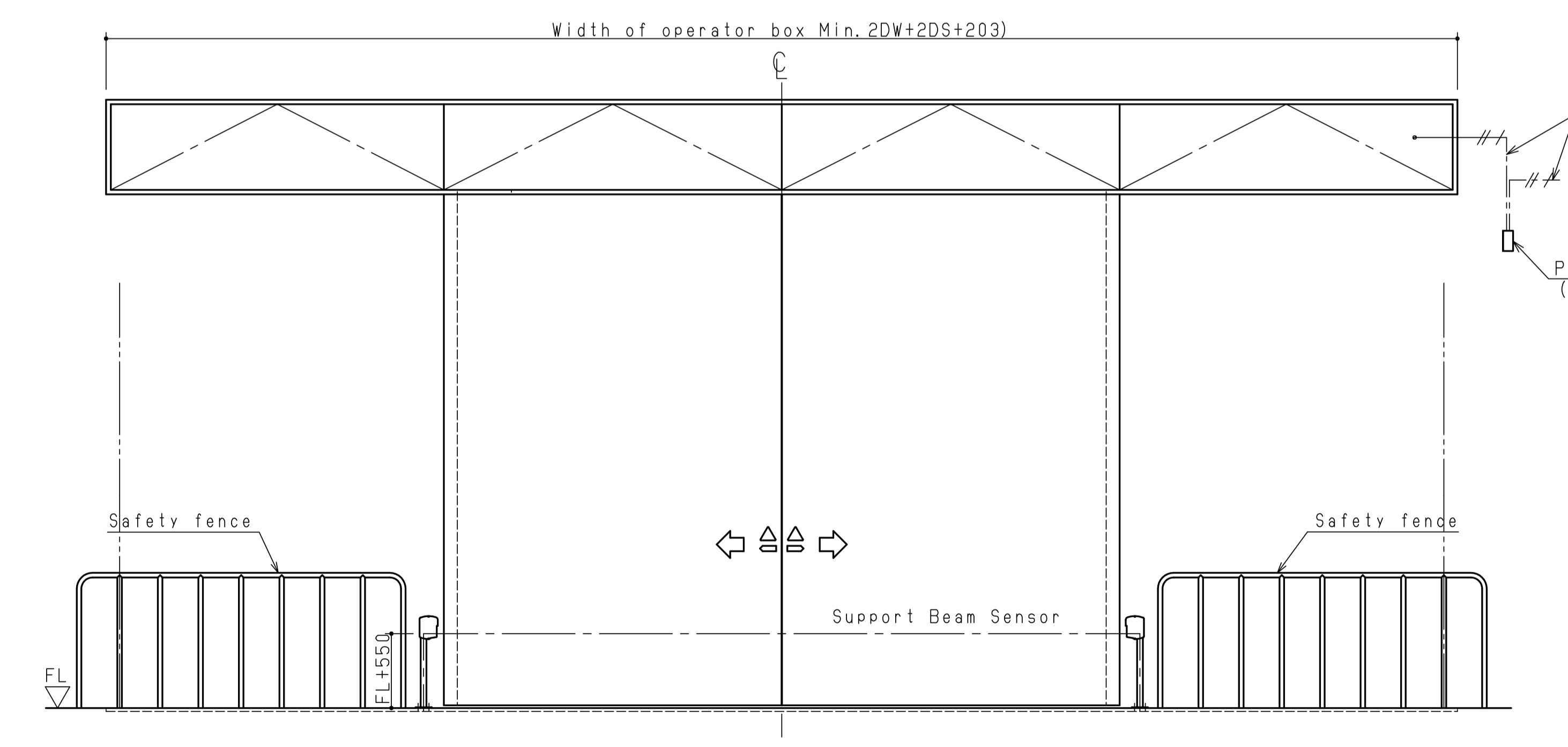


Single sliding (Right hand)

Single sliding (Left hand)



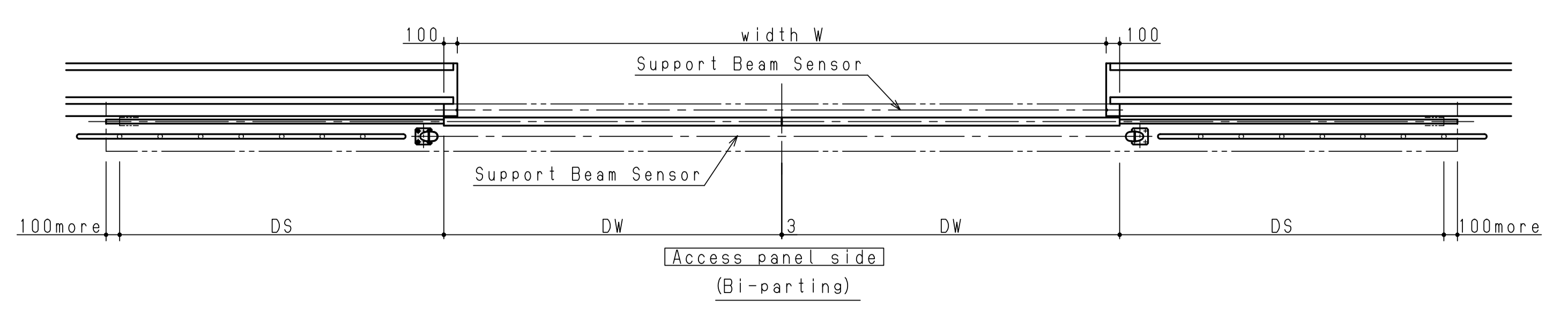
View from Access panel side

Notice

- 1, All drawings herein are subject to change without notice.
- 2, For further details, please contact NABCO sales distributors.

Specification

Door Operator		DS-500	
Opening Method		Bi-parting	Single sliding
Applicability	Applicable Door Mass x Door q'ty	500x2	1000x1
	Door area DW XDH (m ²)	14	27.5
	Applicable Door Width:DW (mm)	3100	6100
	Applicable Door Height:DH (mm)	4500	
Average speed		0.1~0.5m/sx2	0.1~0.5m/s
Power supply		200VAC*10A	
Maximum Operable Wind Speed		15m/s or less (When door area is within the above applicability)	

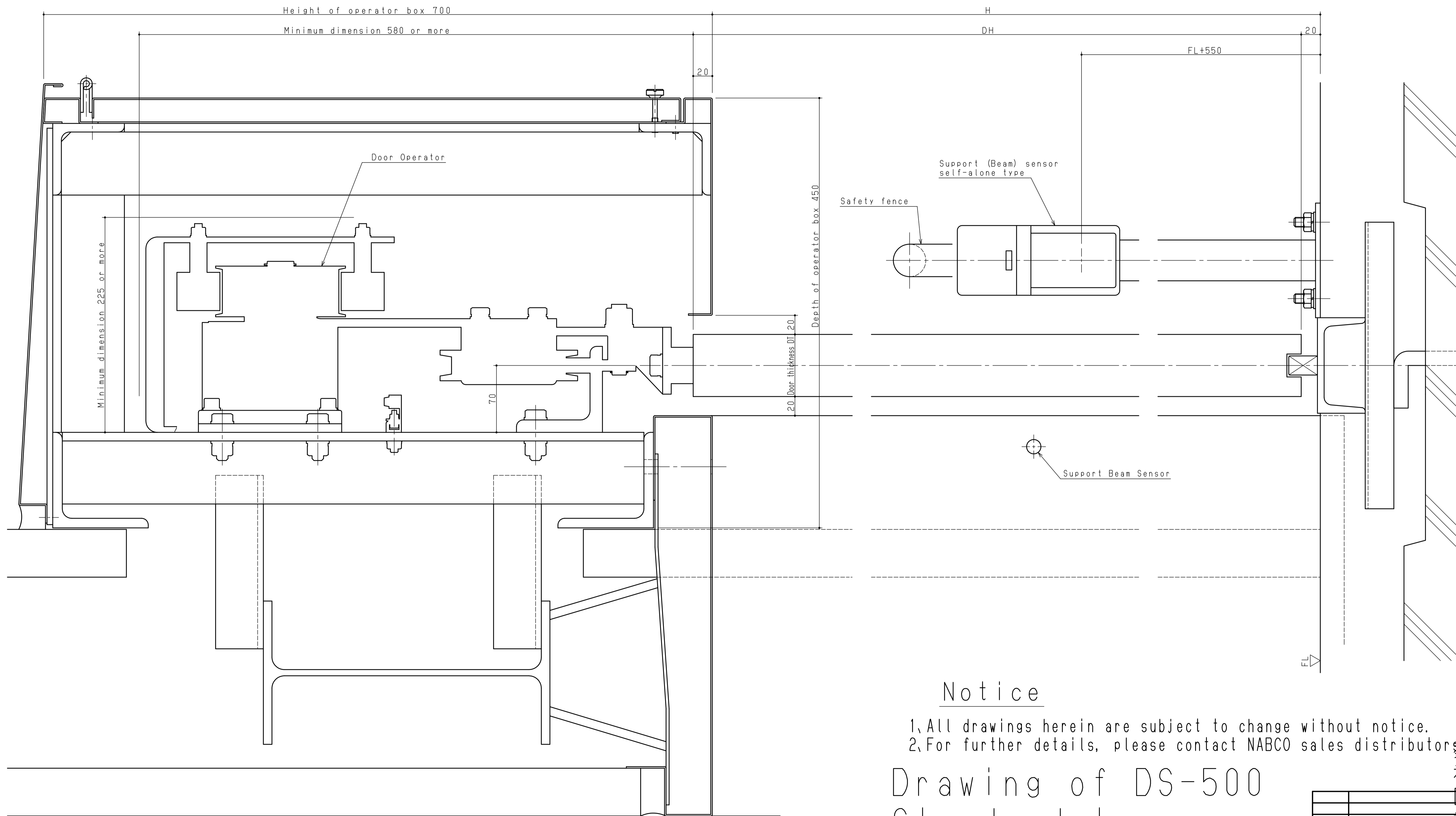


Drawing of DS-500
Standard type (Elevation)
Scale 1:30

改訂No.	改訂日時
番号 No.	
1HP112066-01	
Nabtesco Nabtesco Corporation	

参考図書

Access panel side



Notice

1. All drawings herein are subject to change without notice.
2. For further details, please contact NABCO sales distributor

Drawing of DS-500
 Standard type
 (Section)
 Scale 1:2

改訂No. 番号 NO.	改訂日時
1HP112066-02	
Nabtesco Nabtesco Corporation	

参考図書