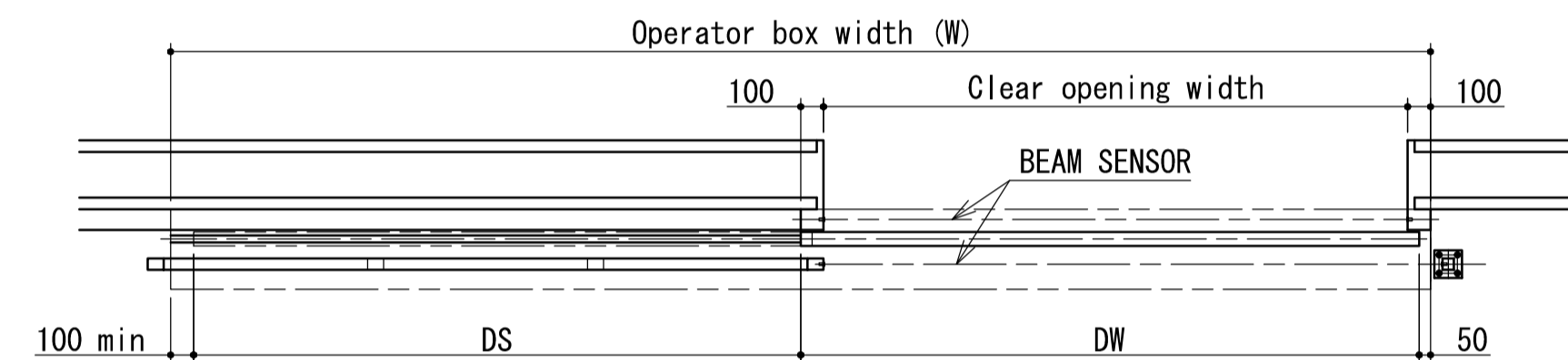
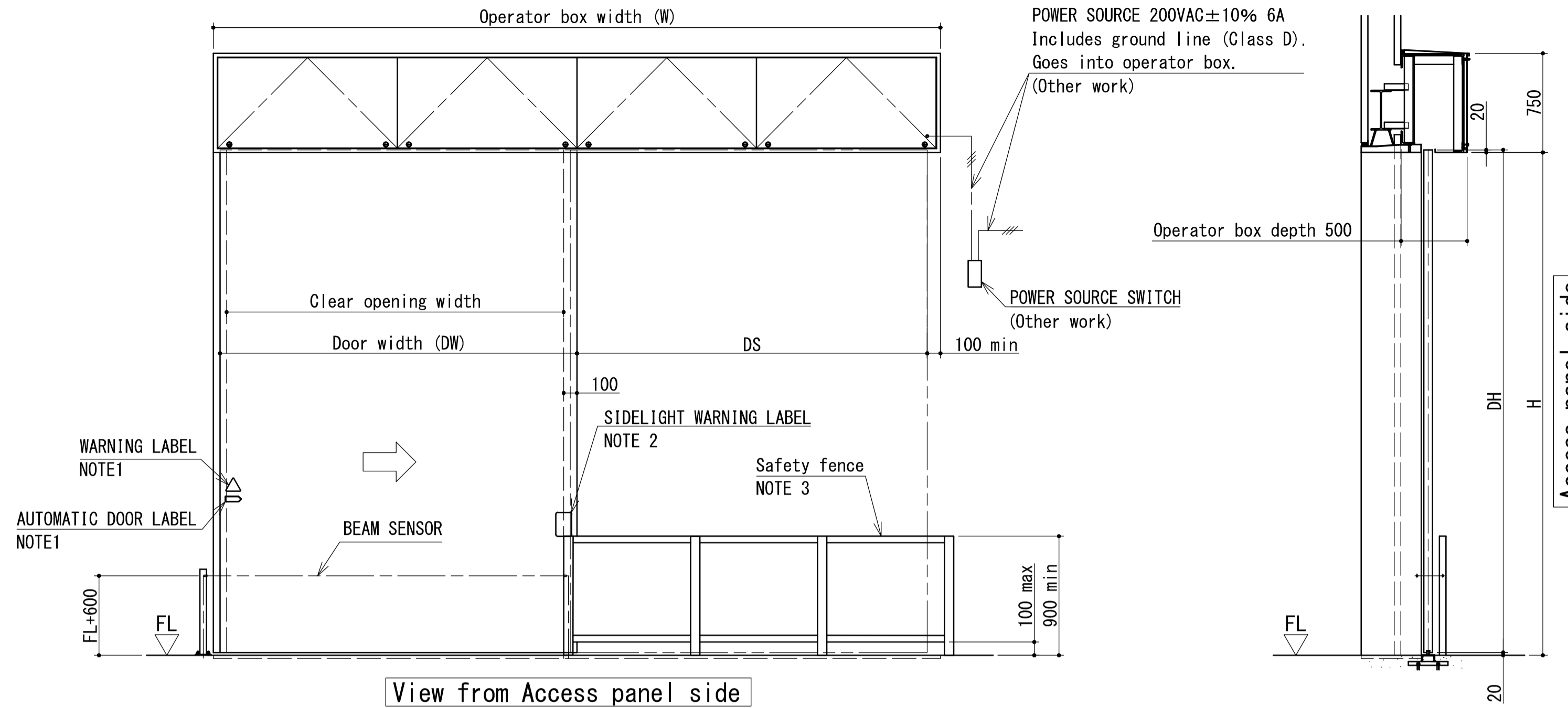


View from Access panel side

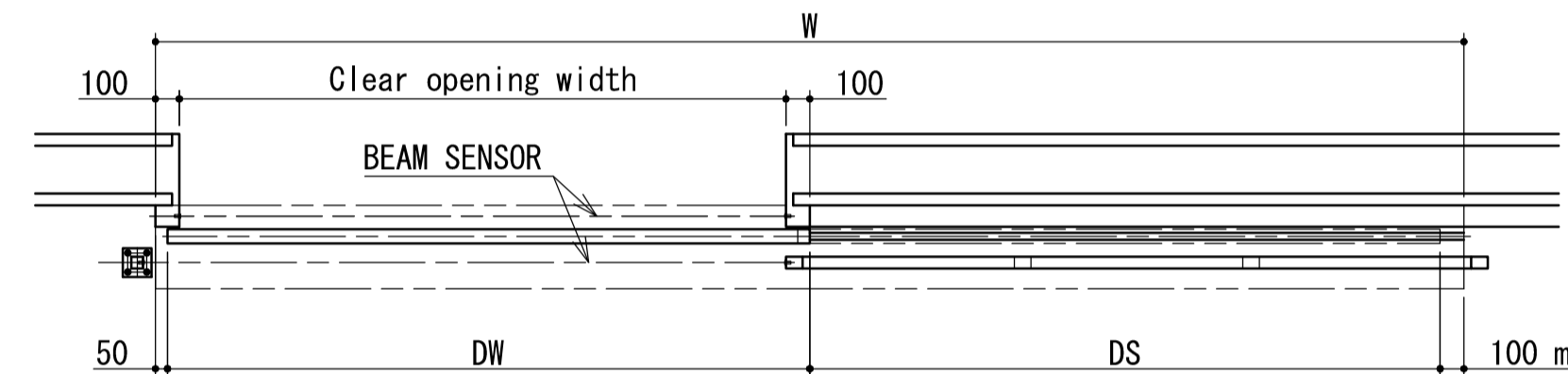


Access panel side

Single slide(Right hand)

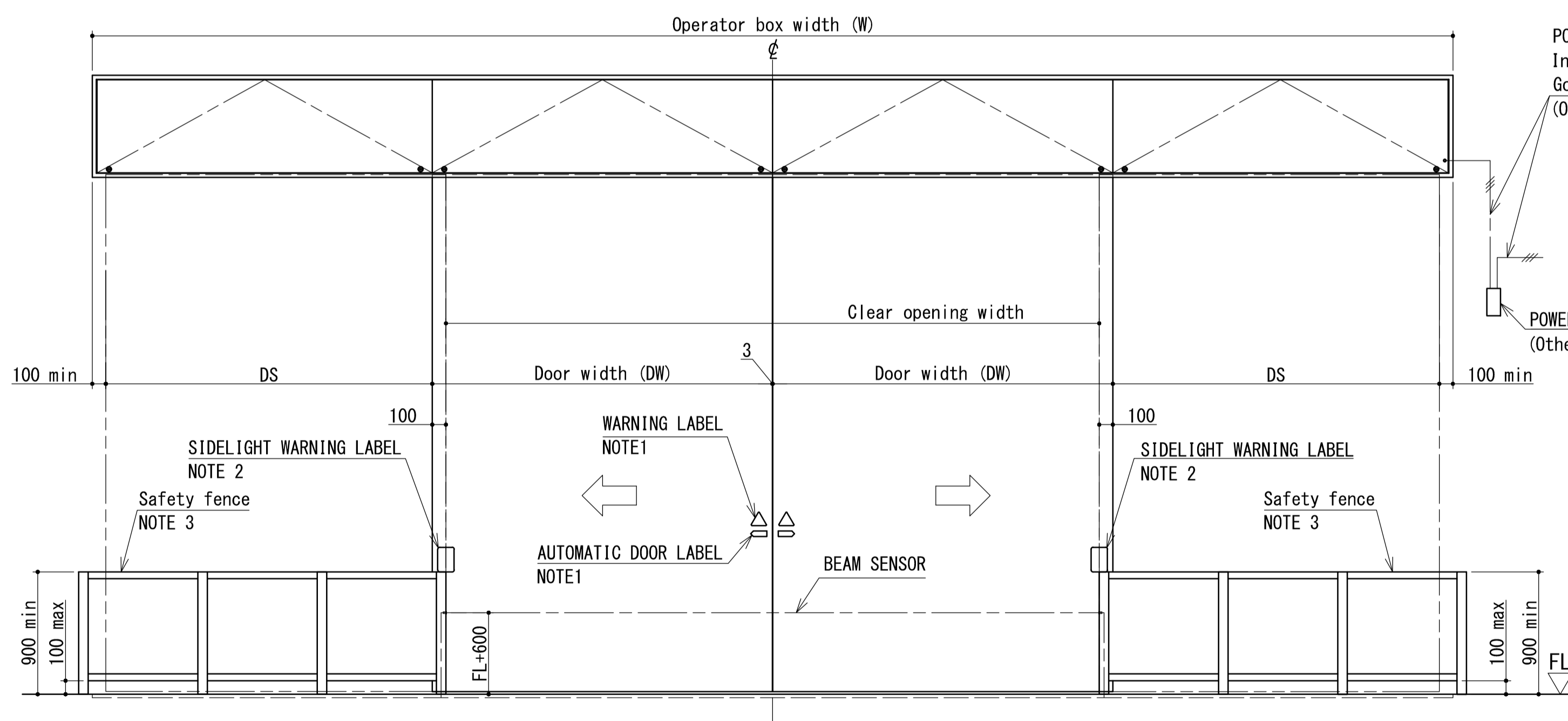


View from Access panel side

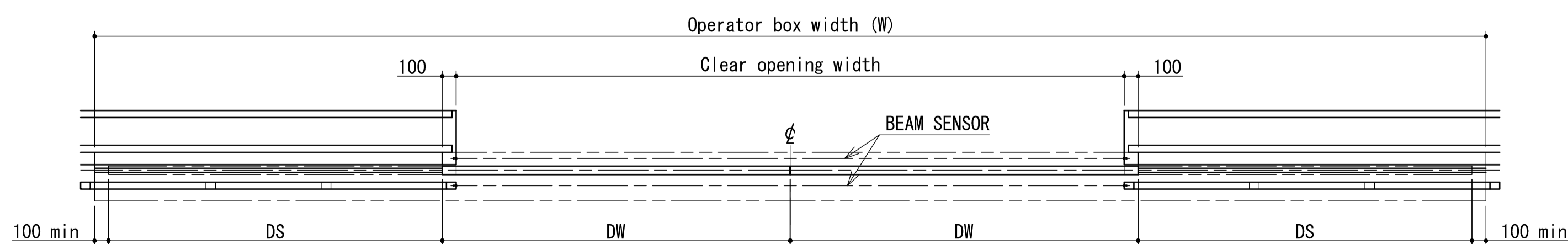


Access panel side

Single slide(Left hand)

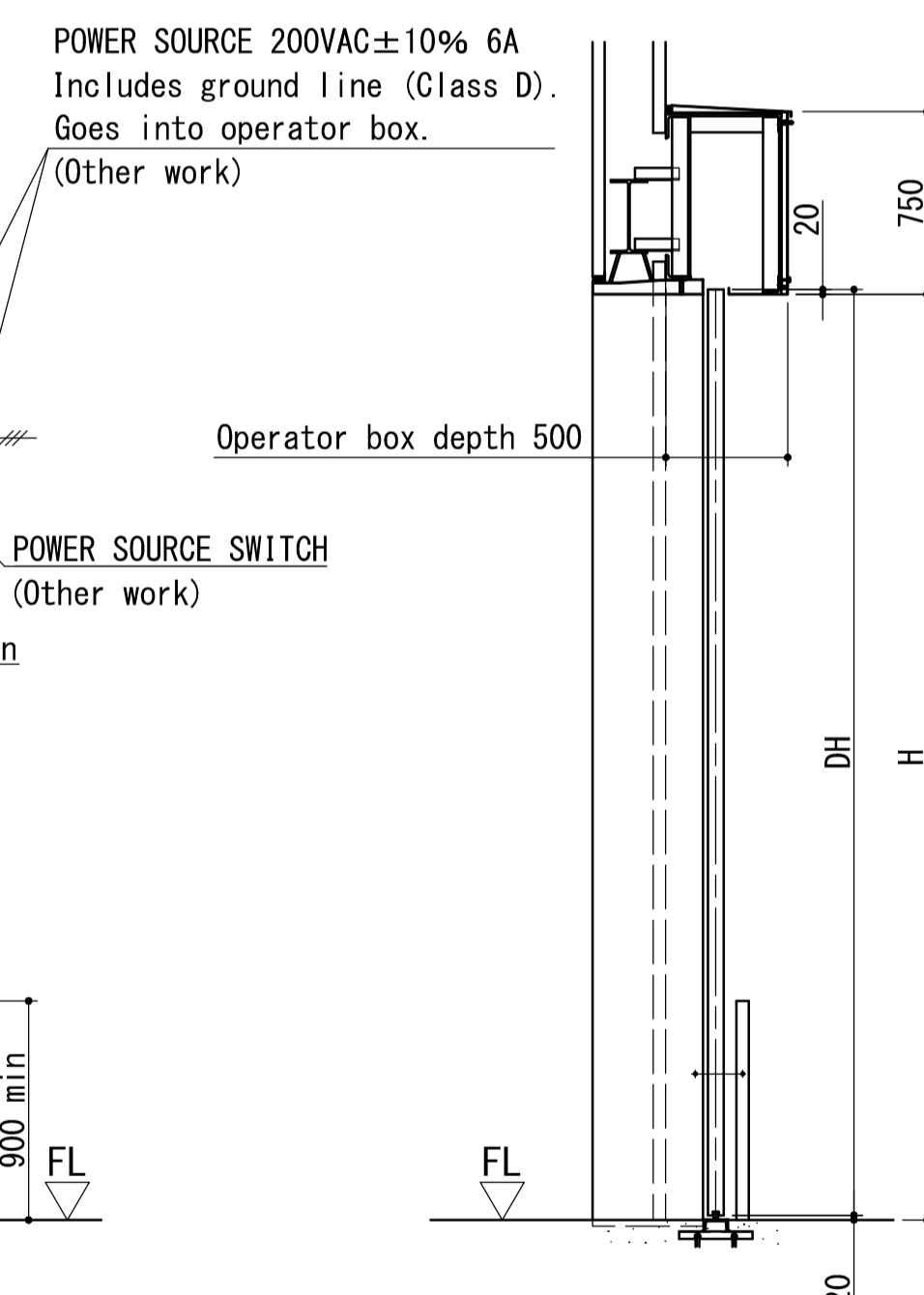


View from Access panel side



Access panel side

Bi-Parting slide



NOTE

1. Attach the warning label and automatic door label to the door.
2. Attach more than 1 label to the door at least, positioning center of the label from FL+750mm to 1750mm in height.
3. To ensure safety, install safety fence. If it is difficult to install safety fence, take another measure, for example installing protection sensor.

Specification

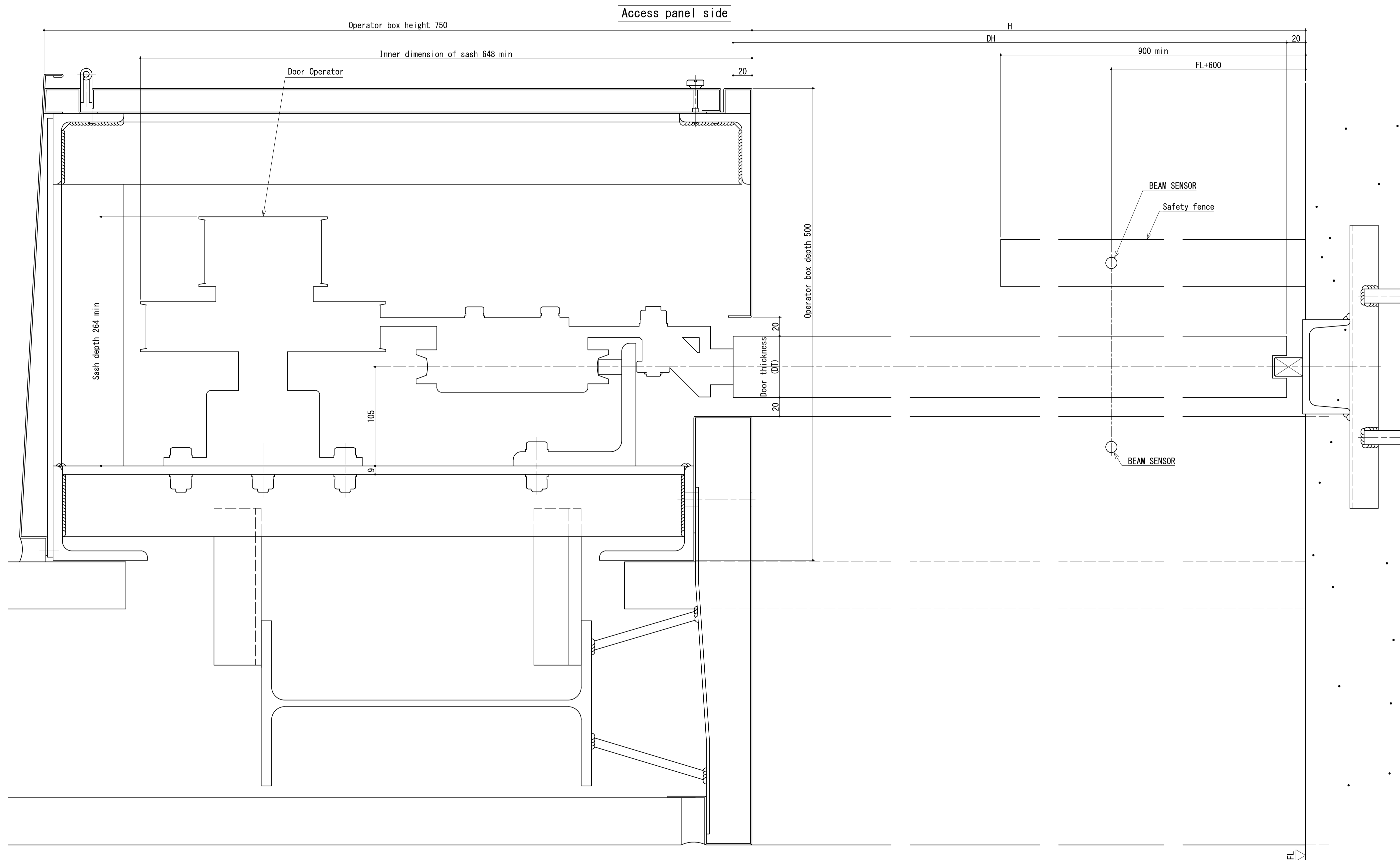
Opening Method		Bi-parting	Single sliding
Applicability	Door Mass (kg) × Door q'ty	1000 × 2	2000 × 1
	Door Width : DW (mm)	6100	10100
	Door Height : DH (mm)	4500	
Door operation speed (m/s)		0.1 - 0.3	
Power supply		200VAC±10%, 50/60Hz, 6A	
Available ambient conditions	Ambient temperature	-10 to 50°C	
	Ambient humidity	20 to 85% RH (no icing or condensation)	
	Electromagnetic field immunity	Industrial environment (IEC/JIS C 61000-6-2)	

Notice

1. All drawings herein are subject to change without notice.
2. For further details, please contact NABCO sales distributors

Drawing of V-500SL Reduction gear type (Elevation) Scale 1:30

-	-
初版	2024.03.01
改訂No.	改訂日
番号 No.	1DK203705



Notice 1. All drawings herein are subject to change without notice.
 2. For further details, please contact NABCO sales distributors

Drawing of V-500SL
Reduction gear type (Section)
Scale 1:2

-	-
初版	2024.03.01
改訂No.	改訂日
番号 No.	1DK203705