

SSP-12 SUPER SENSOR

Features

SSP-12 is transom embedded sensor with the function of doorway detection.

SSP-12 detects passers-by and/or objects through the usage of reflection of near-infrared ray. SSP-12 has the detection area over the doorway (door track) by memorizing door movement. Improved safety because of covering the 5 lined detection area including doorway with high-density pattern
 Enhanced function against snow and insect
 The original design of the entrance can be maintained.

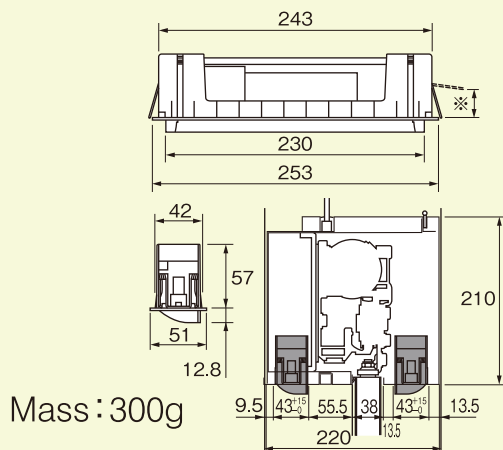


Specification

SSP-12 SUPER SENSOR	
Detection Method	Near Infrared reflection method (Motion and Presence Detection)
Mounting Height	Max. 3.2m
Detection Area	Max. W 3.5m x D 2.6m [at mounting height 3.2m]
Power Voltage	12V to 110V AC/DC \pm 10%
Current Consumption	3.8VA or less (at 100V AC) 120mA or less (at 12V DC)
Output Ratings	No-voltage relay contact 1a 50V DC 0.1A (resistance load)

Reference drawing

Dimensions (mm)



Detection area (mm)

