

## NP-10 BEAM SENSOR

### Features

NP-10 BEAM SENSOR is transmission type photoelectric beam sensor to enhance safety of automatic sliding door.

Shorter recessed dimension (14mm)

Easy installation of pressing body into the mounting hole

The door opens when a photoelectric beam between a transmitter and a receiver in mullions or fixed frames is interrupted by passers-by or objects.

The door will remain open as long as interrupted.



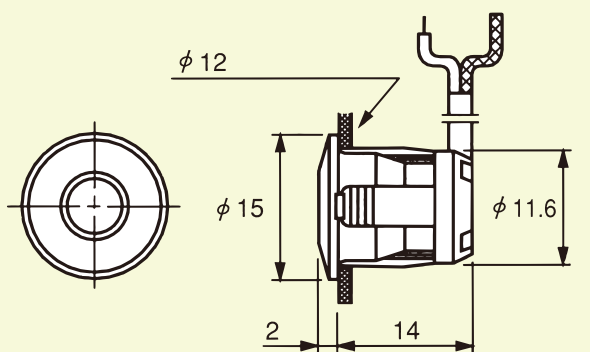
clear

### Specification

NP-10B / NP-10LB BEAM SENSOR	
Detection Method	Near Infrared reflection method (Motion and Presence Detection)
Detection Range	NP-10B: Between photocells 0.9 m to 5.0 m NP-10LB: Between photocells 5.0 m to 8.0 m

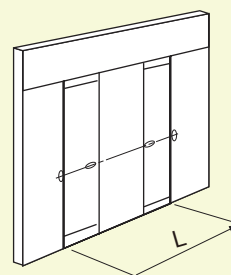
### Reference drawing

Dimensions (mm)



Mass : NP-10B 120g  
: NP-10LB 230g

Detection area (mm)



Type	Max. detection range
NP-10B	L=5.0m
NP-10LB	L=8.0m