

NH-N600 PALSEARCH

Features

NH-N600 is presence detection sensor can detect the passers-by or objects standing still inside the detection area.

Doorway detection function enables to detect the doorway area by memorizing door movement. Individual setting is available because detection area is partitioned into 16 virtual area (AIR field.)

Anti-snow / insect function enable to prevent the malfunction from snow or insects.

Exclusively for NET-DS system adopting CAN transmission network Suitable for standard Sliding, Circular Sliding and Folding door

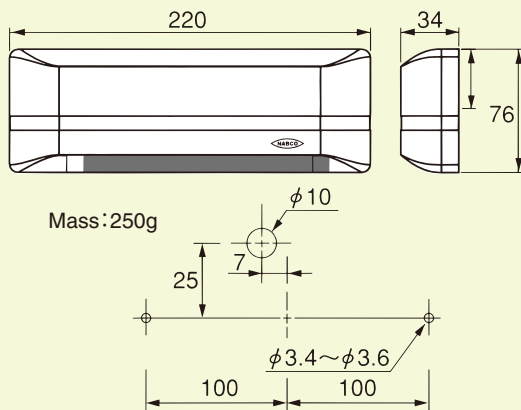


Specification

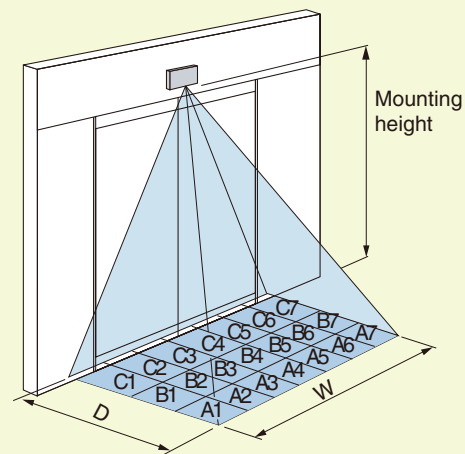
NH-N600 PALSEARCH	
Detection Method	Near Infrared reflection method (Motion and Presence Detection)
Mounting Height	Max. 3.2 m (3.0 m at High-touch mode)
Detection Area	Max. W 3.0 m x D 2.1 m [at mounting height 3.2 m]
Power Voltage	12V DC \pm 10%
Current Consumption	75mA or less
Output Ratings	NET-DS connector

Reference drawing

Dimensions (mm)



Detection area



Detection area size (reference value)

Mounting height (m)		H=2.2	H=2.7	H=3.2
Depth (m)	Setting 1 (C)	0.2	0.2	0.3
	Setting 2 (B+C)	0.5	0.6	0.7
	Setting 3 (A*+B+C)	0.8	1.0	1.2
	Setting 4 (A**+B+C)	1.1	1.3	1.6
	Setting 5 (A***+B+C)	1.5	1.8	2.1
Width (m)		0.2 to 2.2	0.2 to 2.6	0.3 to 3.0