

# NH-605 ALPHA SEARCH

## Features

NH-605 is transom mount sensor with the function of doorway and presence detection.

NH-605 is presence detection sensor can detect the passers-by or objects standing still inside the detection area.

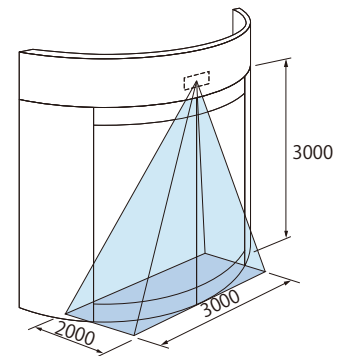
Suitable for Circular Sliding and Folding door  
 Doorway detection function enable to detect the doorway area by memorizing door movement.  
 Presence detection function allows this sensor to be used for the controller exclusively for folding door.



## Specification

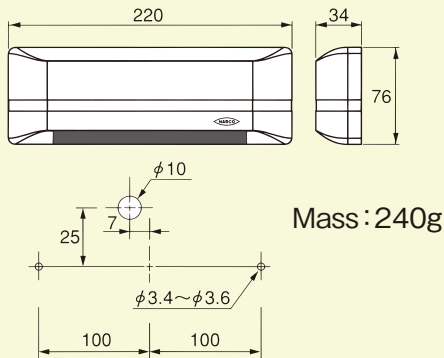
NH-605 ALPHA SEARCH	
Detection Method	Near Infrared reflection method (Motion and Presence Detection)
Mounting Height	Max. 3.0 m
Detection Area	Max. W 3.0 m x D 2.0 m [at mounting height 3.0 m]
Power Voltage	12V to 100V AC/DC $\pm 10\%$
Current Consumption	3VA or less (at 100V AC) 75mA or less (at 12V DC)
Output Ratings	Semiconductor relay output 100V AC/DC 0.1 A or less (resistance load) Open collector 50V DC 0.1A (resistance load)

Detection area (mm)



## Reference drawing

Dimensions (mm)



## DETECTION AREA

