

Specification

Opening Method	Single sliding		Bi-parting		
	DS-60	DS-75	DS-60	DS-75	
Door Operator	DS-60	DS-75	DS-60	DS-75	
Specification	Concealed side mount type for aluminum				
Applicability	Applicable Door Mass x Door q'ty	75kgx1	100kgx1	60kgx2	85kgx2
	Door area DW xDH (m ²)	2.2m ²	2.8m ²	1.8m ²	2.6m ²
Rate of DH/DW	4.0				
average speed	0.1~0.6m/s		0.1~0.55m/s		
Power supply	100VAC·5A				
Maximum Operable Wind Speed	15m/s or less				

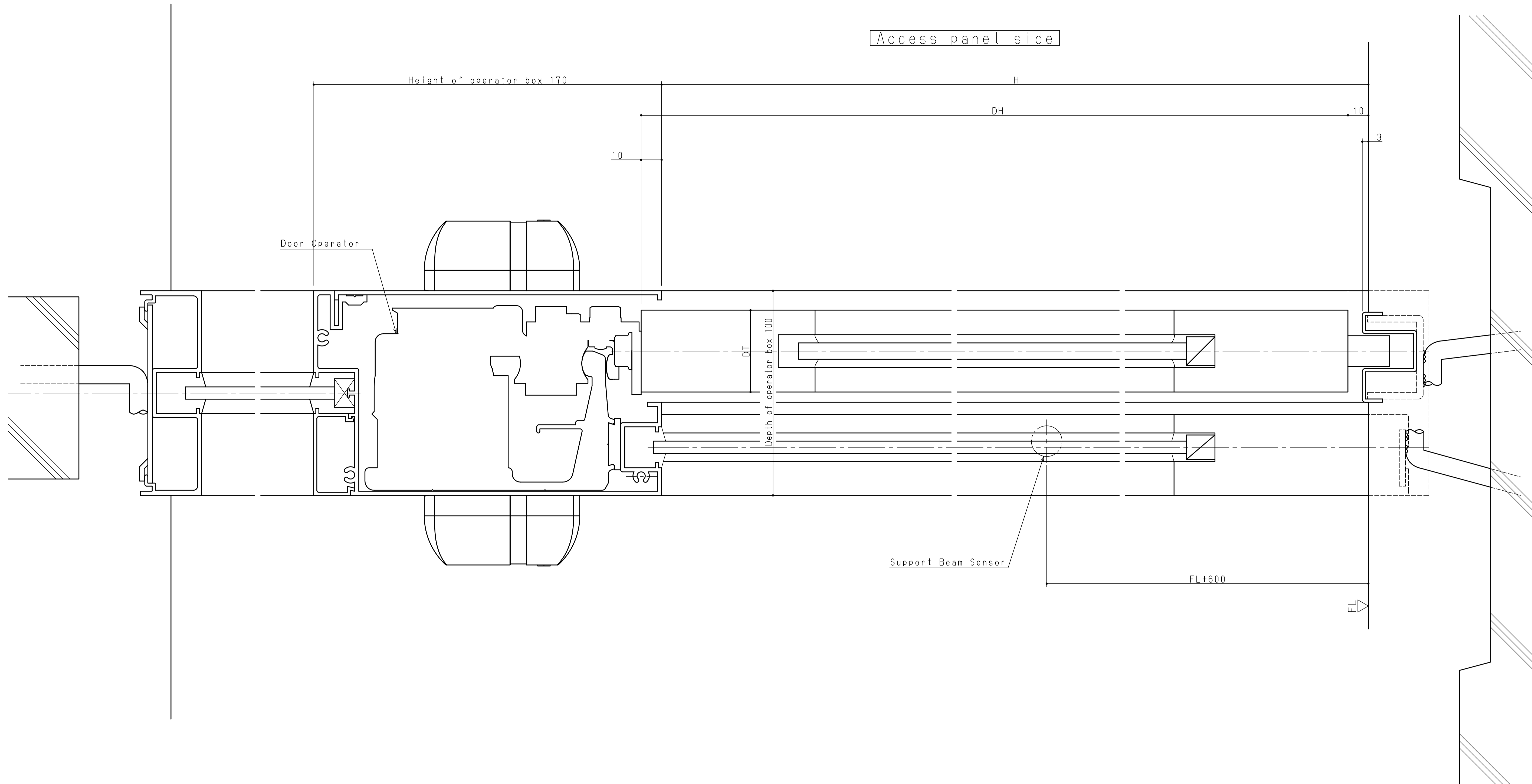
Notice

- 1, All drawings herein are subject to change without notice.
- 2, For further details, please contact NABCO sales distributors.

Drawing of DS-60/75
for aluminum (Elevation)
Scale 1:20

改訂No.	改訂日時
番号 NO.	
1HP102559-01	
Nabtesco Nabtesco Corporation	

参考図書



Notice

- 1. All drawings herein are subject to change without notice.
- 2. For further details, please contact NABCO sales distributors.

Drawing of DS-60/75
for aluminum
(Section)
Scale 1:1

1	2008.8.18
改訂No.	改訂日時
1HP102559-02	
 Nabtesco Corporation	

参考書