

### Specification

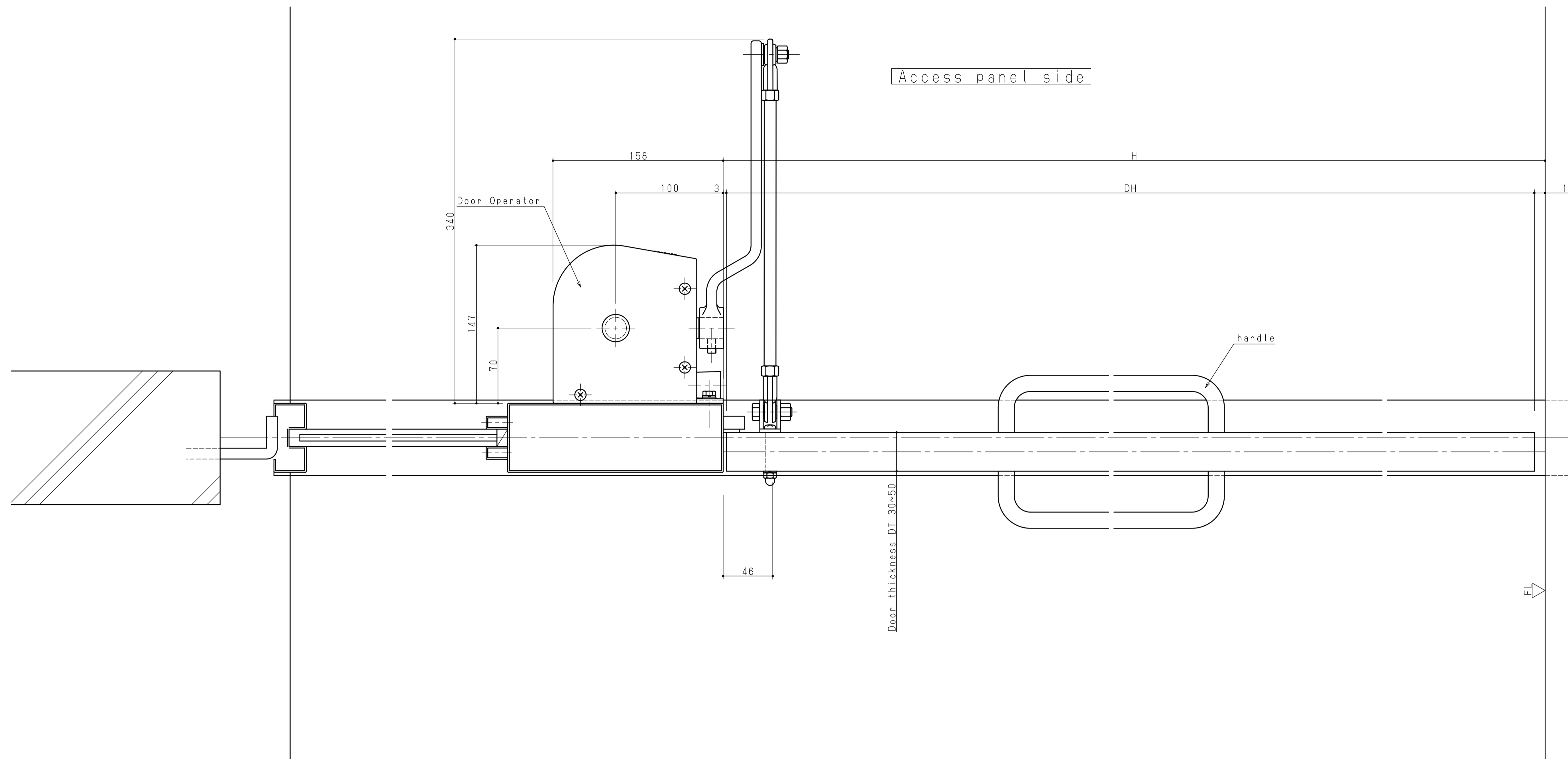
Door Operator	GT-710	
Opening Method	Single swing (One leaf, 90 degrees)	
Applicability	Applicable Door Mass x Door q'ty	90X1
	Door area DW XDH (m <sup>2</sup> )	Max 2.6
	Applicable Door Width:DW (mm)	762~1219
	Door thickness (mm)	30~50
Power assist function	When the door is pushed open by hand, then it opens automatically to be fully opened.	
Operation At Power Failure	Manual open and automatic close	
Operator Dimension	W880XH158XD145	
Operator Box Color	silver or Bronze	
Average speed	~35°/s	
Power supply	100VAC·3A	

### Notice

- 1, All drawings herein are subject to change without notice.
- 2, For further details, please contact NABCO sales distributors

Drawing of GT-710  
Power Assist Door (Elevation)  
Scale 1:20

改訂No.	改訂日時
番号 No.	
1HP120030-01	
<b>Nabtesco</b> Nabtesco Corporation	



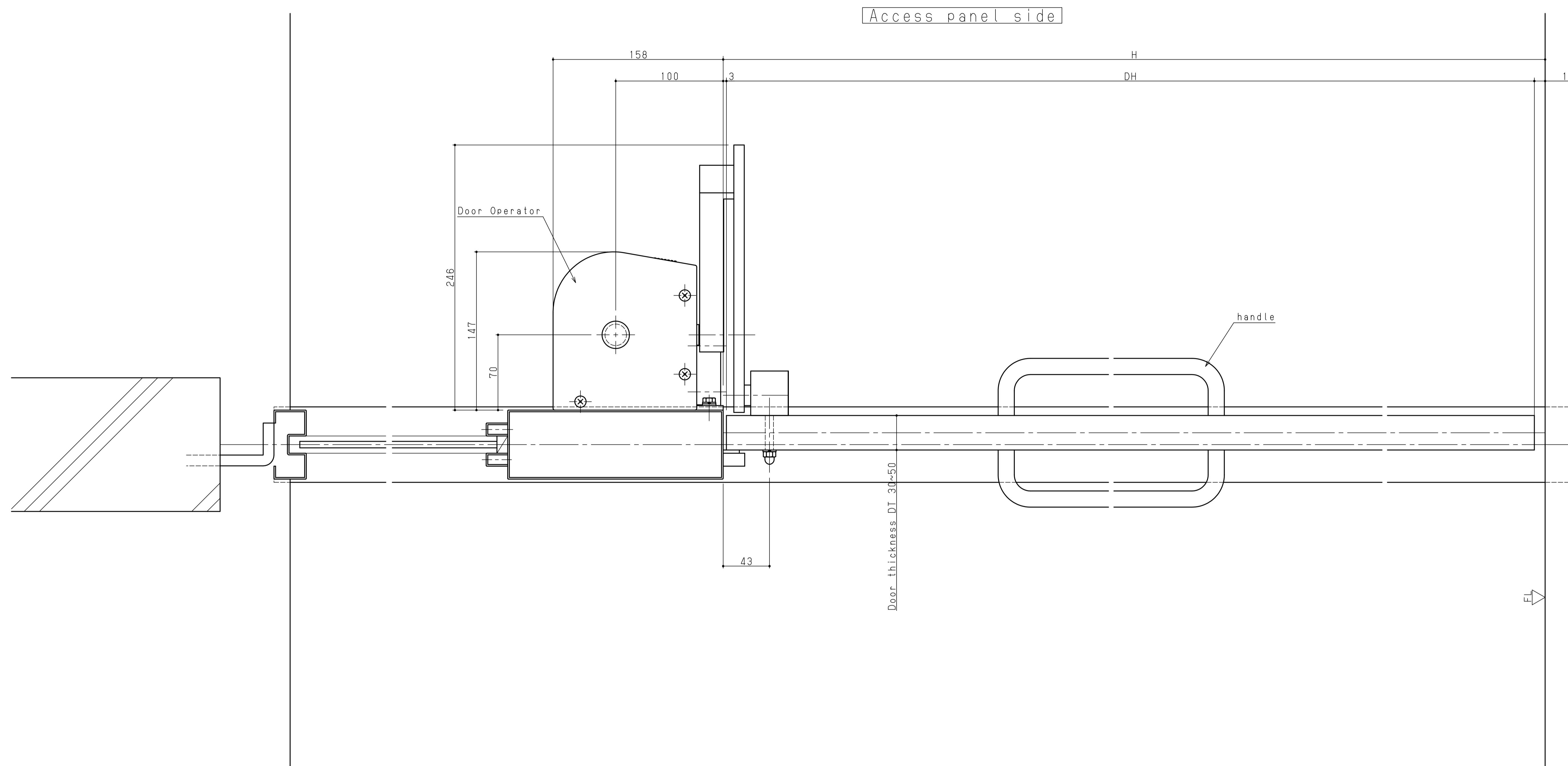
Notice

- 1. All drawings herein are subject to change without notice.
- 2. For further details, please contact NABCO sales distributors.

Drawing of GT-710  
 Power Assist Door out swing  
 (Section)  
 Scale 1:2

改訂No.	改訂日時
1HP120030-02	
<b>Nabtesco</b> Nabtesco Corporation	

参考書



Notice

- 1. All drawings herein are subject to change without notice.
- 2. For further details, please contact NABCO sales distributors.

Drawing of GT-710  
 Power Assist Door in swing  
 (Section)  
 Scale 1:2

改訂No. 番号 NO.	改訂日時
1HP120030-03	
<b>Nabtesco</b> Nabtesco Corporation	

参考書